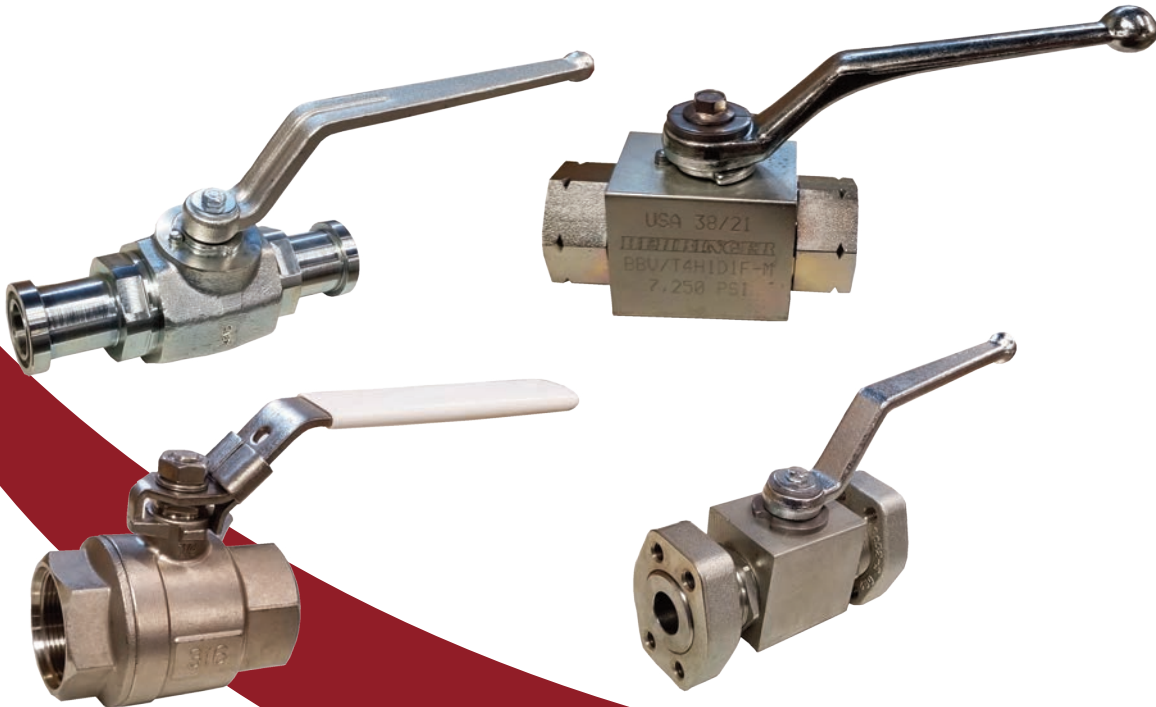



Valves

Ball Valves
Butterfly Valves
Check Valves
Manifold Valves
Needle Valves
Sandwich Plates



BEHRINGER®



The information contained in this document is provided as an aid in properly selecting products and/or options. It is intended to be used by technically experienced users for general reference only. The supplier assumes no responsibility or liability for the accuracy or completeness of this document, as well as results obtained by the use of this information. Due to the variety of possible operating conditions, it is highly recommended that the user make their own tests to determine the safety and suitability of all products and combinations thereof. The user is solely responsible for final determination of such conditions.

	Page
Table of Contents	4
2-Way Ball Valves (High Pressure)	
Block Body Valves with Threaded Connections	5
Round Body Ball Valves with Threaded Connections	6
Block Body Valves with Split Flange Adapters	7
Round Body Valves with Split Flange Adapters	8
Ball Valves with Full Flange Ends	9
Ball Valves with Bolt Flange Forged Body	10
3-Way Ball Valves (High Pressure)	
Block Body Diverter Valves Threaded Connections	11
Manifold Ball Valves	
2-Way Manifold Mount Ball Valves	12
3-Way Manifold Mount Ball Valves	13
Check Valve for Manifold Mounting	14-15
Sandwich Plates	
BBV/SP-D03 Sandwich Plate	16
BBV/SP-D05 Sandwich Plate	17
BBV/SP-D07 Sandwich Plate	18
BBV/SP-D08 Sandwich Plate	19
Flow Control/Check Valves	
Flow Control Check Valve	20
Needle Valves	21
Hard Seat Check Valves	22
Low Pressure Valves	
2-Way Low Pressure	23
Brass Ball Valve	24-25
Direct Mount 3-Way Ball Valve	26-27
Butterfly Valves	
Wafer Butterfly valves	28-29
Lug butterfly valves	30-31
Accumulator Safety Blocks	
Accumulator Safety Blocks	32-35

BEHRINGER®

BBV/ O 6 H 1 D 1 F - M - LO - PM
 Valve Connection Port Pressure Housing Ball Ball & O-ring Behringer Supplement Supplement
 Type Size Rating Material Seal Spindle Material Call out

Valve Type	
Code	Description
BBV	2 way
BBVD	3 way Diverter Type (floating ball)
BBV3	True 3 way (trunnion ball)
BBV4	4 way
BBV3P	3 piece
BBVFS	Fire Safety

Connection Type			
Code	Type	Code	Type
AF1	ANSI Class Flange 150	INT6	Intermediate Code 62
AF3	ANSI Class Flange 300	L3	SAE Code 61 Face Flange
BF3	Bolt Flange Code 61	L6	SAE Code 62 Face Flange
BF6	Bolt Flange Code 62	LR	Compression Fitting Light Series
BW3	Butt Weld Code 61	M	Manifold/Subplate mount
BW6	Butt Weld Code 62	O	SAE-O-Ring type female
C	Cartridge mount	RC	BTT Thread
D3	Flange Direct Mount Code 61	SEW	Socket End Weld
D6	Flange Direct Mount Code 62	SR	Compression Fitting Heavy Series
F3	SAE Code 61 O-ring Flange	T	NPTF female
F6	SAE Code 62 O-ring Flange	TM3	Tank Mount Code 61 (for suction valve only)
G	BSPF female	TM6	Tank Mount Code 62 (for suction valve only)
INT3	Intermediate Code 61	DM	Code 61/62 Direct Mount Combo

Size	
Code	Size
1	1/8" (DN4)
2	1/4" (DN6)
2.5	5/16" (DN 8)
3	3/8" (DN10)
4	1/2" (DN12)
4.5	5/8" (DN16)
5	3/4" (DN20)
6	1" (DN25)
7	1-1/4" (DN32)
8	1-1/2" (DN40)
9	2" (DN40)
10	2-1/2" (DN65)
11	3" (DN80)
12	4" (DN100)
13	5"
14	6" (DN150)
15	8" (DN200)
16	10" (DN250)
17	12" (DN300)

Pressure Rating	
Code	Description
H	High Pressure (5000 PSI)
HP	High (1" size only, 7,250)
U	Ultra High Pressure (20,000 PSI max)
L	Low Pressure (1,000 PSI max)
M	Medium Pressure (2000-4000 PSI)

Housing Material	
Code	Description
1	Carbon Steel (standard)
2	316 Stainless or equivalent (special)
3	Aluminum
4	Brass
5	Zinc
6	Low Alloy Steel

Ball Seal Material	
Code	Description
D	POM (standard)
P	Peek
T	PTFE
T3	PTFE comp.3
R	RTFE (glass reenforced Teflon)
TF	Super Teflon (TFM)
H	POM w/inner protective ring for erosion
C	Cast Iron Steel
X	Stainless Steel Coated

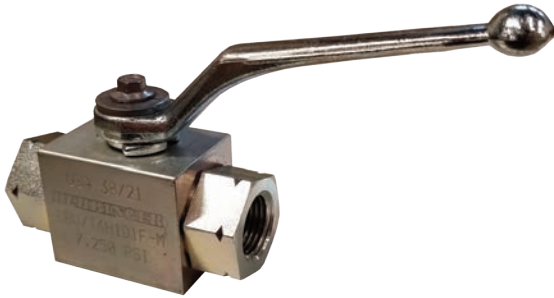
other seals available by special order

Spindle Seal Material	
Code	Description
F	Fluroelastomer, FPM (standard)
E	EPR
B	Buna
T	PTFE
T3	PTFE comp.3
R	RTFE
G	Graph Oil (fire safe)
LB	Lo Temp Buna
FK	FFKM (Kalrez)
X	Low Temp Viton

Ball and Spindle Material	
Code	Description
1	Carbon Steel Spindle, Chrome Plated Carbon Steel Ball (standard)
2	316 Stainless or equivalent Spindle and Ball
3	Chrome plated brass trunion type ball
4	Brass

Supplementary Details			
Code	Description	Code	Description
AR	Actuator Ready	PS	Proximity Switch
DA	Double Acting	S	Square Body (1-1.4" - 1-1/2" 2 Way Size Only)
E	Electrical (voltage)	SH	Straight Handle
FS	Fire Safety	SLH	Short Length Handle
L	Bore (3 way only)	SR	Spring Return
LO	Lock out device	T	Bore 90° (3 way only)
LO-SS	Stainless Steel Lockout	T180	Bore 180° (3 way only)
LS	Limit Switch	TC	Teflon Coating
OHS	Offset Short Handle	APR	Automatic Pressure Relief Drain Port
PK	Pull Knob	SFK	Split Flange Kit
PM	Panel Mount	MET	Metric Threads

** all configurations are not compatible**

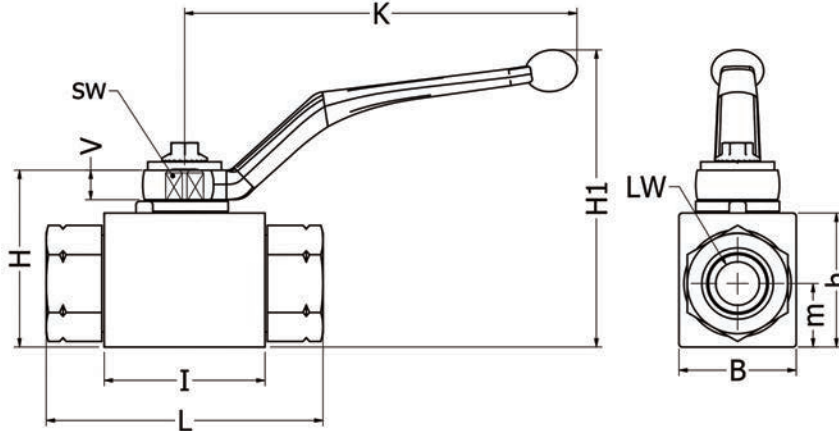


Behringer 2-Way Ball Valves

Block Body Valves with Threaded Connections
Size Range: 1/4" - 1 1/2"

Features:

- Chrome Plated Steel Material (Stainless Steel Optional).
- Full Port Valves.
- Delrin Ball Seats (Others available on request).
- Viton O-rings (Others available on request).
- Zinc Iron Plated.
- Temp Range -20°F to 212°F.
- Hard Chrome-Plated Ball.
- Other options available upon request.



High Pressure Block Body Valves 1/4 - 1 1/2			Working Pressure		Dimensions (in.)											Lever Material
Size	Thread Type	Part Number	PSI	Bar	I	L	B	H	h	m	V	SW	K	H1	LW	
1/4	NPT	BBV/T2H1D1F-M	7250	500	1.57	2.71	1.02	1.85	1.3	0.53	0.43	0.35	4.53	3.23	0.24	Zinc
	BSP	BBV/G2H1D1F-M	7250	500	1.57	2.71	1.02	1.85	1.3	0.53	0.43	0.35	4.53	3.23	0.24	Zinc
	SAE	BBV/O2H1D1F-M	7250	500	1.57	2.71	1.02	1.85	1.3	0.53	0.43	0.35	4.53	3.23	0.2	Zinc
3/8	NPT	BBV/T3H1D1F-M	7250	500	1.69	2.83	1.26	2.05	1.5	0.69	0.43	0.35	4.53	3.39	0.39	Zinc
	BSP	BBV/G3H1D1F-M	7250	500	1.69	2.83	1.26	2.05	1.5	0.69	0.43	0.35	4.53	3.39	0.39	Zinc
	SAE	BBV/O3H1D1F-M	7250	500	1.69	2.83	1.26	2.05	1.5	0.69	0.43	0.35	4.53	3.39	0.39	Zinc
1/2	NPT	BBV/T4H1D1F-M	7250	500	1.89	3.26	1.38	2.13	1.57	0.75	0.43	0.35	4.53	3.5	0.51	Zinc
	BSP	BBV/G4H1D1F-M	7250	500	1.89	3.26	1.38	2.13	1.57	0.75	0.43	0.35	4.53	3.5	0.51	Zinc
	SAE	BBV/O4H1D1F-M	7250	500	1.89	3.26	1.38	2.13	1.57	0.75	0.43	0.35	4.53	3.5	0.51	Zinc
3/4	NPT	BBV/T5H1D1F-M	6090	420	2.44	3.74	1.93	2.95	2.24	0.96	0.55	0.55	6.73	4.37	0.79	Steel
	BSP	BBV/G5H1D1F-M	6090	420	2.44	3.74	1.93	2.95	2.24	0.96	0.55	0.55	6.73	4.37	0.79	Steel
	SAE	BBV/O5H1D1F-M	6090	420	2.44	3.74	1.93	2.95	2.24	0.96	0.55	0.55	6.73	4.37	0.79	Steel
1	NPT	BBV/T6H1D1F-M	5075	350	2.6	4.45	2.28	3.27	2.56	1.16	0.55	0.55	6.73	5.24	0.98	Steel
	BSP	BBV/G6H1D1F-M	5075	350	2.6	4.45	2.28	3.27	2.56	1.16	0.55	0.55	6.73	5.24	0.98	Steel
	SAE	BBV/O6H1D1F-M	5075	350	2.6	4.45	2.28	3.27	2.56	1.16	0.55	0.55	6.73	5.24	0.98	Steel
1 1/4	NPT	BBV/T7H1D1F-M-S	5075	350	2.6	4.72	2.28	3.27	2.56	1.16	0.55	0.55	6.73	5.24	0.98	Steel
	BSP	BBV/G7H1D1F-M-S	5075	350	2.6	4.72	2.28	3.27	2.56	1.16	0.55	0.55	6.73	5.24	0.98	Steel
	SAE	BBV/O7H1D1F-M-S	5075	350	2.6	4.72	2.28	3.27	2.56	1.16	0.55	0.55	6.73	5.24	0.98	Steel
1 1/2	NPT	BBV/T8H1D1F-M-S	5075	350	2.6	5.12	2.28	3.27	2.56	1.16	0.55	0.55	6.73	5.24	0.98	Steel
	BSP	BBV/G8H1D1F-M-S	5075	350	2.6	5.12	2.28	3.27	2.56	1.16	0.55	0.55	6.73	5.24	0.98	Steel
	SAE	BBV/O8H1D1F-M-S	5075	350	2.6	5.12	2.28	3.27	2.56	1.16	0.55	0.55	6.73	5.24	0.98	Steel

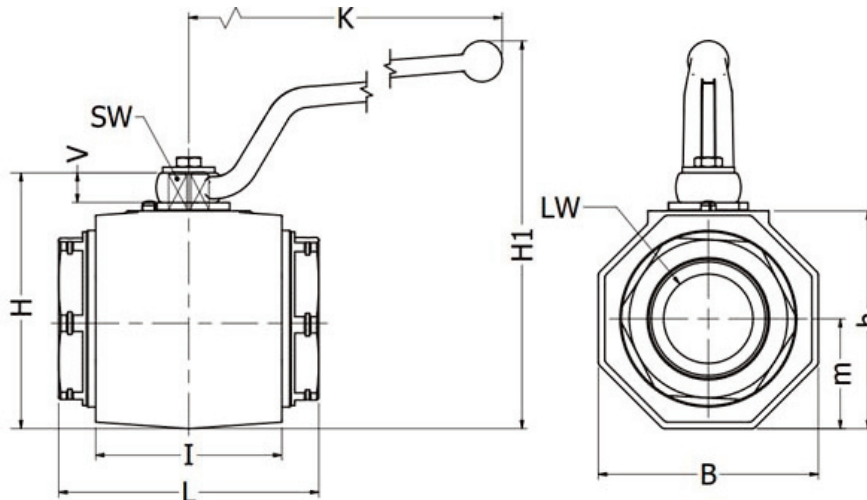
Behringer 2-Way Ball Valves



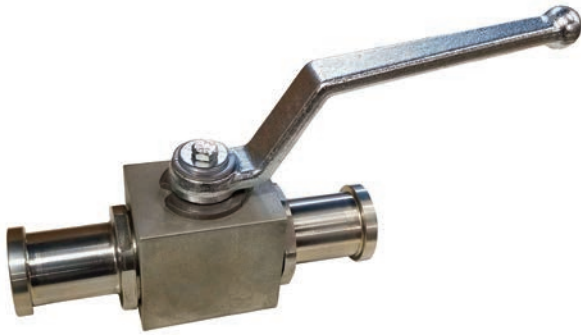
Round Body Valves with Threaded Connections
Size Range: 1-1/4" - 2"

Features:

- Forged Body.
- Chrome Plated Steel Material (Stainless Steel Optional).
- Full Port Valves.
- Delrin Ball Seats (Others available on request).
- Viton O-rings (Others available on request).
- Zinc Iron Plated.
- Temp Range -20°F to 212°F.
- Hard Chrome-Plated Ball.
- Other options available upon request.



High Pressure Forged Body Valves 1-1/4 - 2			Working Pressure		Dimensions (in.)											Lever Material
Size	Thread Type	Part Number	PSI	Bar	I	L	B	H	h	m	V	SW	K	H1	LW	
1 1/4	NPT	BBV/T7H1D1F-M	6090	420	3.15	4.37	3.19	4.21	3.39	1.60	0.65	0.67	12.05	6.97	1.26	Steel
	BSP	BBV/G7H1D1F-M	6090	420	3.15	4.37	3.19	4.21	3.39	1.60	0.65	0.67	12.05	6.97	1.26	Steel
	SAE	BBV/O7H1D1F-M	6090	420	3.15	4.37	3.19	4.21	3.39	1.60	0.65	0.67	12.05	6.97	1.18	Steel
1 1/2	NPT	BBV/T8H1D1F-M	6090	420	3.35	5.11	3.94	4.88	4.06	1.97	0.65	0.67	12.05	7.64	1.50	Steel
	BSP	BBV/G8H1D1F-M	6090	420	3.35	5.11	3.94	4.88	4.06	1.97	0.65	0.67	12.05	7.64	1.50	Steel
	SAE	BBV/O8H1D1F-M	6090	420	3.35	5.11	3.94	4.88	4.06	1.97	0.65	0.67	12.05	7.64	1.50	Steel
2	NPT	BBV/T9H1D1F-M	6090	420	3.94	5.51	4.65	5.43	4.61	2.32	0.65	0.67	12.05	8.23	1.89	Steel
	BSP	BBV/G9H1D1F-M	6090	420	3.94	5.51	4.65	5.43	4.61	2.32	0.65	0.67	12.05	8.23	1.89	Steel
	SAE	BBV/O9H1D1F-M	6090	420	3.94	5.51	4.65	5.43	4.61	2.32	0.65	0.67	12.05	8.23	1.77	Steel

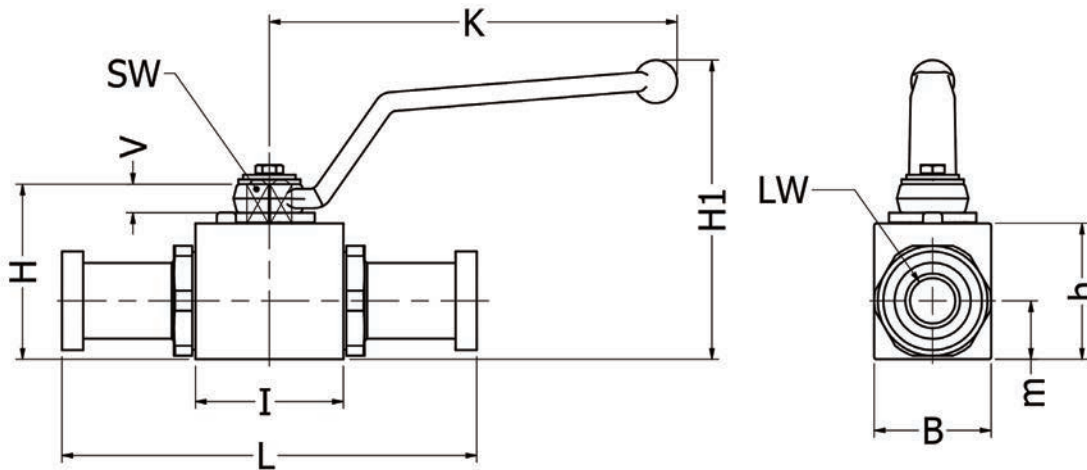


Behringer 2-Way Ball Valves

Block Body Valves with Split Flange Adapters
Size Range: 1/2" - 1"

Features:

- SAE Code 61 or Code 62 Split Flange Ends.
- Chrome Plated Steel Material (Stainless Steel Optional).
- Full Port Valves.
- Delrin Ball Seats (Others available on request).
- Viton O-rings (Others available on request).
- Zinc Iron Plated.
- Temp Range -20°F to 212°F.
- Hard Chrome-Plated Ball.
- Other options available upon request.



Split Flange Block Body Valves 1/2"-1" Code 61/62			Working Pressure		Dimensions (in.)											Lever Material
Size	Code Size	Part Number	PSI	Bar	I	L	B	H	h	m	V	SW	K	H1	LW	
1/2	61	BBV/F3-4H1D1F-M	5075	350	1.89	5.94	1.38	2.13	1.57	0.75	0.43	0.35	4.53	3.5	0.51	Zinc
	62	BBV/F6-4H1D1F-M	6090	420	1.89	5.94	1.38	2.13	1.57	0.75	0.43	0.35	4.53	3.5	0.51	Zinc
3/4	61	BBV/F3-5H1D1F-M	5075	350	2.44	6.38	1.93	2.95	2.24	0.96	0.55	0.55	6.73	4.37	0.75	Steel
	62	BBV/F6-5H1D1F-M	6090	420	2.44	6.85	1.93	2.95	2.24	0.96	0.55	0.55	6.73	4.37	0.75	Steel
1	61	BBV/F3-6H1D1F-M	5075	350	2.6	7.01	2.28	3.27	2.56	1.16	0.55	0.55	6.73	5.24	0.98	Steel
	62	BBV/F6-6H1D1F-M	5075	350	2.6	7.8	2.28	3.27	2.56	1.16	0.55	0.55	6.73	5.24	0.98	Steel

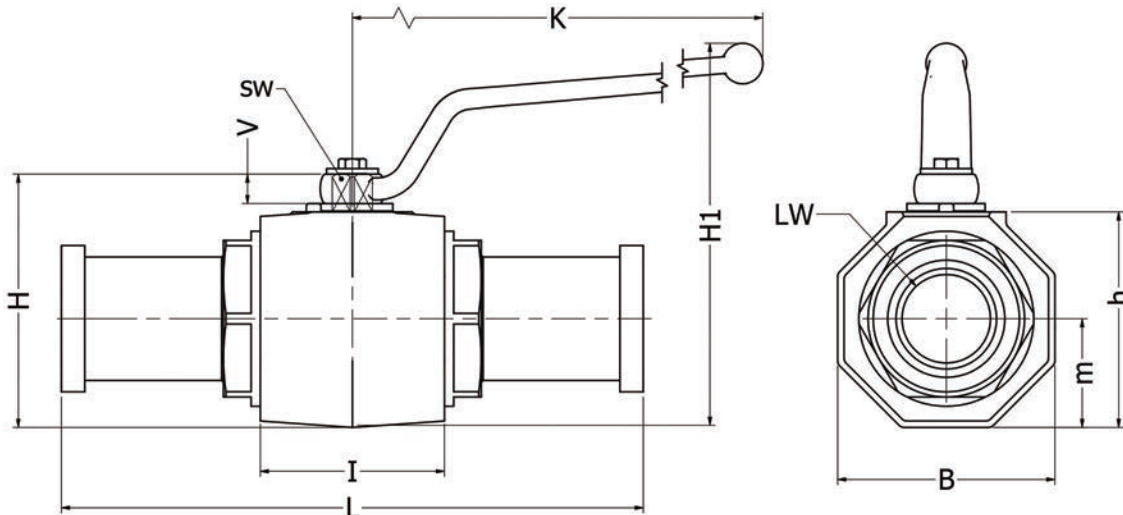
Behringer 2-Way Ball Valves



Round Body Valves with Split Flange Adapters
Size Range: 1-1/4" - 2"

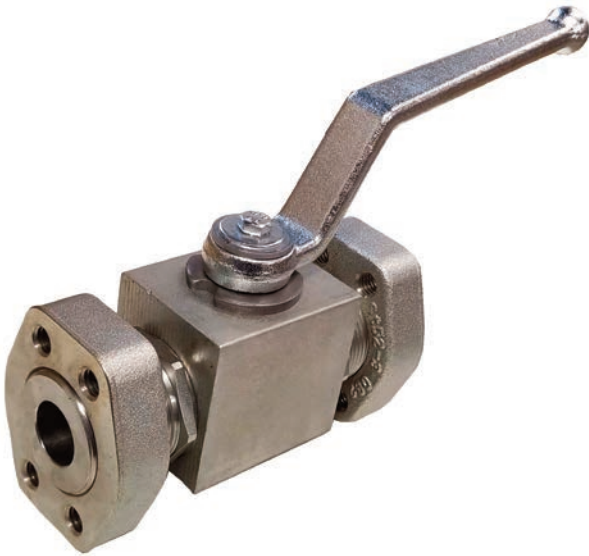
Features:

- Forged Body.
- Chrome Plated Steel Material (Stainless Steel Optional).
- Full Port Valves.
- Delrin Ball Seats (Others available on request).
- Viton O-rings (Others available on request).
- Zinc Iron Plated.
- Temp Range -20°F to 212°F.
- Hard Chrome-Plated Ball.



Split Flange Forged Body Valves 1-1/4"-2" Code 61/62			Working Pressure		Dimensions (in.)											Lever Material
Size	Code Size	Part Number	PSI	Bar	I	L	B	H	h	m	v	SW	K	H1	LW	
1 1/4	61	BBV/F3-7H1D1F-M	4060	280	3.15	7.52	3.19	4.21	3.39	1.59	0.65	0.69	12.05	6.97	1.18	Steel
	62	BBV/F6-7H1D1F-M	6090	420	3.15	8.78	3.19	4.21	3.39	1.59	0.65	0.69	12.05	6.97	1.18	Steel
1 1/2	61	BBV/F3-8H1D1F-M	3045	210	3.35	9.09	3.94	4.88	4.05	1.97	0.65	0.69	12.05	7.64	1.5	Steel
	62	BBV/F6-8H1D1F-M	6090	420	3.35	11.06	3.94	4.88	4.05	1.97	0.65	0.69	12.05	7.64	1.5	Steel
2	61	BBV/F3-9H1D1F-M	3045	210	3.94	9.13	4.65	5.43	4.61	2.32	0.65	0.69	12.05	8.23	1.89	Steel
	62	BBV/F6-9H1D1F-M	6090	420	3.94	12.44	4.65	5.43	4.61	2.32	0.65	0.69	12.05	8.23	1.89	Steel

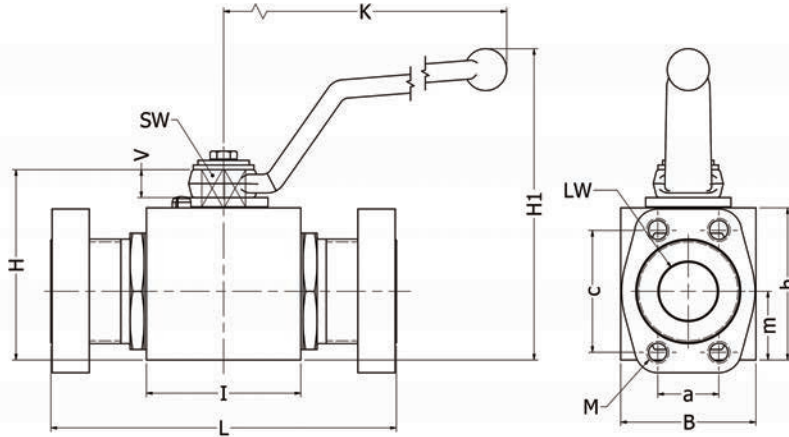
Behringer 2-Way Ball Valves



Ball Valves with Full Flange Ends
Size Range: 1/2" - 1"

Features:

- SAE Code 61 or Code 62 Full Flange Ends.
- Chrome Plated Steel Material (Stainless Steel Optional).
- Full Port Valves.
- Delrin Ball Seats (Others available on request).
- Viton O-rings (Others available on request).
- Zinc Iron Plated.
- Temp Range -20°F to 212°F.
- Hard Chrome-Plated Ball.
- Other options available upon request.



SAE Bolt Flange Block Body Valves 1/2"-1" Code 61/62			Working Pressure		Dimensions (in.)										Connection Dimensions (in.)				Lever Material
Size	Code Size	Part Number	PSI	Bar	I	L	B	H	h	m	V	SW	K	H1	LW	a	c	M	
1/2	61	BBV/BF3-4H1D1F-M	5075	350	1.89	4.72	1.38	2.13	1.57	0.75	0.43	.35	4.53	3.50	0.51	0.69	1.50	5/16	Zinc
	62	BBV/BF6-4H1D1F-M	6090	420	1.89	4.72	1.38	2.13	1.57	0.75	0.43	.35	4.53	3.50	0.51	0.72	1.59	5/16	Zinc
3/4	61	BBV/BF3-5H1D1F-M	5075	350	2.44	5.35	1.93	2.95	2.24	0.97	0.55	.55	6.73	4.37	0.79	0.87	1.87	3/8	Steel
	62	BBV/BF6-5H1D1F-M	6090	420	2.44	5.35	1.93	2.95	2.24	0.97	0.55	.55	6.73	4.37	0.79	0.94	2.00	3/8	Steel
1	61	BBV/BF3-6H1D1F-M	5075	350	2.6	5.83	2.28	3.27	2.56	1.16	0.55	.55	6.73	5.24	0.98	1.03	2.06	3/8	Steel
	62	BBV/BF6-6H1D1F-M	5075	350	2.6	5.83	2.28	3.27	2.56	1.16	0.55	.55	6.73	5.24	0.98	1.09	2.25	7/16	Steel

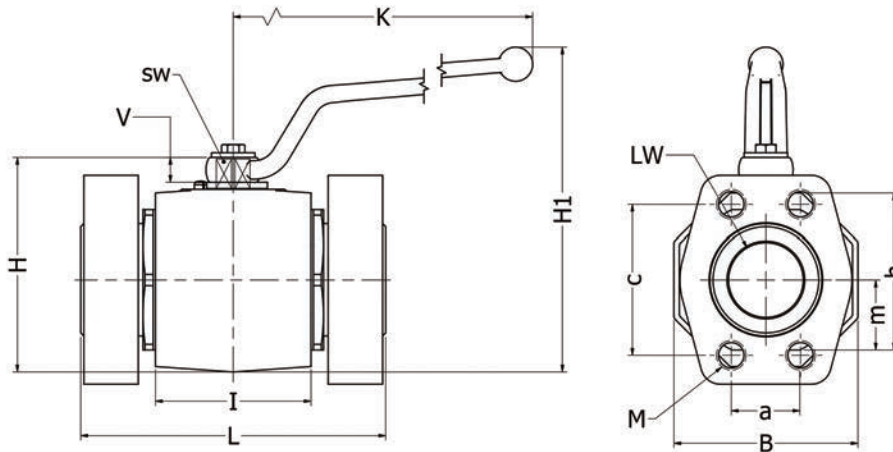


Behringer 2-Way Ball Valves

Ball Valves with Bolt Flange Forged Body
Size Range: 1 1/4" - 2"

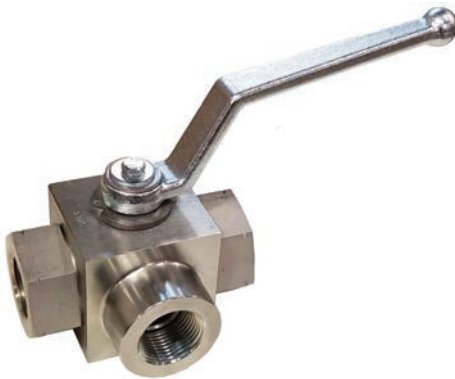
Features:

- SAE Code 61 or Code 62 Full Flange Ends.
- Chrome Plated Steel Material (Stainless Steel Optional).
- Full Port Valves.
- Delrin Ball Seats (Others available on request).
- Viton O-rings (Others available on request).
- Zinc Iron Plated.
- Temp Range -20°F to 212°F.
- Hard Chrome-Plated Ball.
- Other options available upon request.



SAE Bolt Flange Forge Body Valves 1-1/4"-2" Code 61/62			Working Pressure		Dimensions (in.)										Connection Dimensions (in.)			Lever Material
Size	Code Size	Part Number	PSI	Bar	I	L	B	H	h	m	V	SW	K	H1	LW	a	M	
1 1/4	61	BBV/BF3-7H1D1F-M	4060	280	3.15	6.77	3.19	4.21	3.39	1.59	0.65	.67	12.05	6.97	1.26	1.19	7/16	Steel
	62	BBV/BF6-7H1D1F-M	6090	420	3.15	6.77	3.19	4.21	3.39	1.59	0.65	.67	12.05	6.97	1.26	1.25	1/2	Steel
1 1/2	61	BBV/BF3-8H1D1F-M	3045	210	3.35	6.97	3.94	4.88	4.05	1.97	0.65	.67	12.05	7.64	1.5	1.41	1/2	Steel
	62	BBV/BF6-8H1D1F-M	6090	420	3.35	6.97	3.94	4.88	4.05	1.97	0.65	.67	12.05	7.64	1.5	1.44	5/8	Steel
2	61	BBV/BF3-9H1D1F-M	3045	210	3.94	7.72	4.65	5.43	4.61	2.32	0.65	.67	12.05	8.23	1.89	1.69	1/2	Steel
	62	BBV/BF6-9H1D1F-M	6090	420	3.94	7.72	4.65	5.43	4.61	2.32	0.65	.67	12.05	8.23	1.89	1.75	3/4	Steel

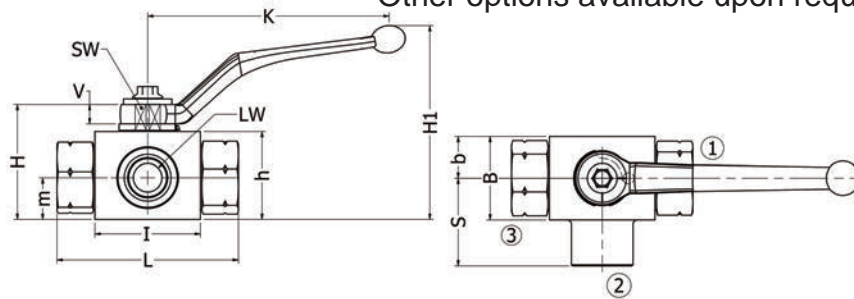
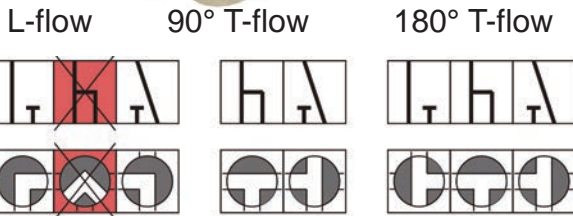
Behringer 3-Way Ball Valves



Block Body Diverter Valves Threaded Connections
Size Range: 1/4" - 2"

Features:

- Chrome Plated Steel Material (Stainless Steel Optional).
- Full Port Valves.
- Delrin Ball Seats (Others available on request).
- Viton O-rings (Others available on request).
- Zinc Iron Plated.
- Temp Range -20°F to 212°F.
- Hard Chrome-Plated Ball.
- L-flow pattern standard, 90° and 180° T-flow.
- Other patterns available on request.
- Other options available upon request.



3-Way Diverter Valves 1/4 - 2			Working Pressure		Dimensions (in.)														Lever Material
Size	Thread Type	Part Number	PSI	Bar	I	L	b	B	H	h	m	V	SW	K	H1	H2	S	LW	
1/4	NPT	BBVD/T2H1D1F-L-M	7250	500	1.57	2.71	0.5	1.14	1.85	1.3	0.53	0.43	0.35	4.53	-	3.23	1.36	0.24	Zinc
	BSP	BBVD/G2H1D1F-L-M	7250	500	1.57	2.71	0.5	1.14	1.85	1.3	0.53	0.43	0.35	4.53	-	3.23	1.36	0.24	Zinc
	SAE	BBVD/O2H1D1F-L-M	7250	500	1.57	2.71	0.5	1.14	1.85	1.3	0.53	0.43	0.35	4.53	-	3.23	1.36	-	Zinc
3/8	NPT	BBVD/T3H1D1F-L-M	7250	500	1.69	2.83	0.63	1.38	2.05	1.5	0.69	0.43	0.35	4.53	-	3.39	1.42	0.39	Zinc
	BSP	BBVD/G3H1D1F-L-M	7250	500	1.69	2.83	0.63	1.38	2.05	1.5	0.69	0.43	0.35	4.53	-	3.39	1.42	0.39	Zinc
	SAE	BBVD/O3H1D1F-L-M	7250	500	1.69	2.83	0.63	1.38	2.05	1.5	0.69	0.43	0.35	4.53	-	3.39	1.42	-	Zinc
1/2	NPT	BBVD/T4H1D1F-L-M	4567	315	1.89	3.27	0.69	1.5	2.13	1.57	0.75	0.43	0.35	4.53	-	3.5	1.63	0.51	Zinc
	BSP	BBVD/G4H1D1F-L-M	4567	315	1.89	3.27	0.69	1.5	2.13	1.57	0.75	0.43	0.35	4.53	-	3.5	1.63	0.51	Zinc
	SAE	BBVD/O4H1D1F-L-M	4567	315	1.89	3.27	0.69	1.5	2.13	1.57	0.75	0.43	0.35	4.53	-	3.5	1.63	-	Zinc
3/4	NPT	BBVD/T5H1D1F-L-M	4567	315	2.44	3.74	0.96	2.05	2.95	2.24	0.96	0.55	0.55	7.87	3.11	-	1.87	0.79	Zinc
	BSP	BBVD/G5H1D1F-L-M	4567	315	2.44	3.74	0.96	2.05	2.95	2.24	0.96	0.55	0.55	7.87	3.11	-	1.87	0.79	Zinc
	SAE	BBVD/O5H1D1F-L-M	4567	315	2.44	4.13	0.96	2.05	2.95	2.24	0.96	0.55	0.55	7.87	3.11	-	1.87	-	Zinc
1	NPT	BBVD/T6H1D1F-L-M	4567	315	2.6	4.45	1.14	2.4	3.27	2.56	1.16	0.55	0.55	7.87	3.43	-	2.22	0.98	Zinc
	BSP	BBVD/G6H1D1F-L-M	4567	315	2.6	4.45	1.14	2.4	3.27	2.56	1.16	0.55	0.55	7.87	3.43	-	2.22	0.98	Zinc
	SAE	BBVD/O6H1D1F-L-M	4567	315	2.6	4.45	1.14	2.4	3.27	2.56	1.16	0.55	0.55	7.87	3.43	-	2.22	-	Zinc
1 1/4	NPT	BBVD/T7H1D1F-L-M	5075	350	3.19	4.72	1.54	-	4.17	3.33	1.54	0.65	0.67	12.6	4.53	-	2.36	1.18	Aluminum
	BSP	BBVD/G7H1D1F-L-M	5075	350	3.19	4.37	1.54	-	4.17	3.33	1.54	0.65	0.67	12.6	4.53	-	2.17	1.18	Aluminum
	SAE	BBVD/O7H1D1F-L-M	5075	350	3.19	4.37	1.54	-	4.17	3.33	1.54	0.65	0.67	12.6	4.53	-	2.36	-	Aluminum
1 1/2	NPT	BBVD/T8H1D1F-L-M	5075	350	4.09	5.51	2.08	-	5	4.17	2.08	0.65	0.67	12.6	5.35	-	2.78	1.5	Aluminum
	BSP	BBVD/G8H1D1F-L-M	5075	350	4.09	5.11	2.08	-	5	4.17	2.08	0.65	0.67	12.6	5.35	-	2.56	1.5	Aluminum
	SAE	BBVD/O8H1D1F-L-M	5075	350	4.09	5.51	2.08	-	5	4.17	2.08	0.65	0.67	12.6	5.35	-	2.78	-	Aluminum
2	NPT	BBVD/T9H1D1F-L-M	5075	350	4.65	5.9	2.28	4.57	5.39	4.57	2.28	0.65	0.67	12.6	5.75	-	2.95	1.89	Aluminum
	BSP	BBVD/G9H1D1F-L-M	5075	350	4.65	5.9	2.28	4.57	5.39	4.57	2.28	0.65	0.67	12.6	5.75	-	2.95	1.89	Aluminum
	SAE	BBVD/O9H1D1F-L-M	5075	350	4.65	5.9	2.28	4.57	5.39	4.57	2.28	0.65	0.67	12.6	5.75	-	2.95	-	Aluminum

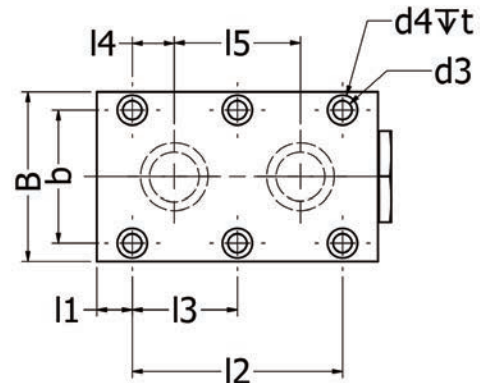
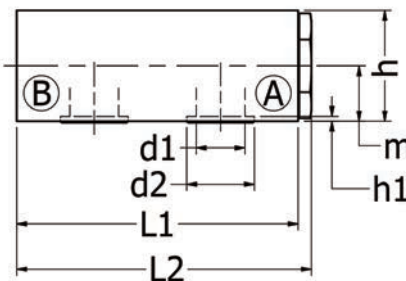
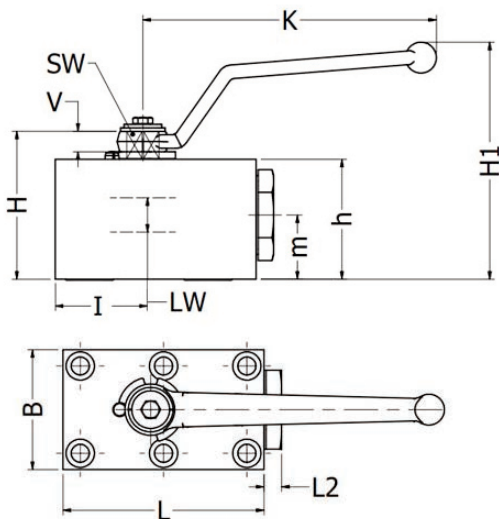
L = flow pattern, T = 90° T-flow pattern, T180 = 180° T-flow pattern

Note: Diverter valves utilize a floating ball principal which requires that the pressure in the open ports be greater than the pressure in the closed port in order to seal properly.

Behringer 2-Way Manifold Mount Ball Valves

Ball Valves for Manifold Mounting

Size Range: 1/4" - 2"



Features:

- Block Body.
- Full Port Valves.
- POM Ball Seats (Others available on request).
- FKM/FPM O-rings (Others available on request).
- Zinc Iron Plated (Stainless Steel Optional).
- Temp Range -20°F to 212°F.
- Hard Chrome-Plated Ball.
- Other options available upon request.

2 Way Manifold Mount Valves			Working Pressure		Dimensions (in.)													Lever Material
Size	Series	Part Number	PSI	Bar	I	L	I-7	B	H	h	m	V	SW1	SW2	K	LW	H1	
1/4	2-Way	BBV/M2H1D1F-M	7250	500	1.02	2.24	0.24	1.57	1.69	1.38	0.77	0.24	0.28	0.75	4.53	0.24	2.64	Zinc
3/8	2-Way	BBV/M3H1D1F-M	7250	500	1.14	2.78	0.39	2.17	2.32	1.77	0.96	0.43	0.35	1.18	4.53	0.39	3.66	Zinc
1/2	2-Way	BBV/M4H1D1F-M	6090	420	1.67	3.86	0.39	2.36	2.72	2.17	1.34	0.43	0.35	1.26	4.53	0.51	4.09	Zinc
3/4	2-Way	BBV/M5H1D1F-M	6090	420	2	4.61	0.39	2.78	3.46	2.78	1.48	0.55	0.55	1.81	6.73	0.79	5.43	Steel
1	2-Way	BBV/M6H1D1F-M	6090	420	2.44	5.31	0.39	3.15	3.86	3.15	1.75	0.55	0.55	1.97	6.73	0.98	5.83	Steel
1 1/4	2-Way	BBV/M7H1D1F-M	6090	420	2.95	6.5	0.43	3.94	4.76	3.94	2.15	0.67	0.67	2.78	12.05	1.26	7.56	Steel
1 1/2	2-Way	BBV/M8H1D1F-M	6090	420	3.33	7.87	0.67	5.12	5.16	4.33	2.24	0.67	0.67	3.15	12.05	1.5	7.95	Steel
2	2-Way	BBV/M9H1D1F-M	6090	420	4.17	9.45	0.59	5.91	5.91	5.08	2.8	0.67	0.67	3.54	12.05	1.89	8.7	Steel

2 Way Manifold Mount Valves			Connection Dimensions (in.)															
Size	O-ring (mm)	Dimensions of Screws (MIN)	Torque of Screws in Nm	I-1	I-2	I-3	I-4	I-5	b	d-1	d-2	h-1	d-3	d-4	t	d-5		
1/4	7x2.5	4 x M6x40 - 12.9	14	0.33	1.38	-	0.33	1.38	1.06	0.24	0.46	0.07	0.26	0.41	0.27	-		
3/8	10x2.5	4 x M8x50 - 12.9	35	0.3	2.17	-	0.39	1.73	1.57	0.37	0.59	0.07	0.33	0.53	0.33	-		
1/2	20x2.5	6 x M8x60 - 12.9	35	0.3	3.27	1.63	0.63	2.28	1.77	0.51	0.98	0.07	0.33	0.53	0.28	-		
3/4	23.47x2.62	6 x M10x80 - 12.9	70	0.39	3.82	1.91	0.79	2.72	2	0.79	1.14	0.08	0.41	0.65	0.41	-		
1	29x3	6 x M10x90 - 12.9	70	0.39	4.53	2.26	0.94	3.19	2.36	0.98	1.37	0.09	0.41	0.65	0.41	-		
1 1/4	34.59x2.62	6 x M12x110 - 12.9	110	0.47	5.35	2.68	1.14	3.78	3.07	1.26	1.57	0.08	0.51	0.75	0.47	-		
1 1/2	42.x3	6 x M16x120 - 12.9	300	1.12	4.41	2.2	1.12	4.41	3.74	1.5	1.88	0.09	0.65	0.98	0.75	1.42		
2	54x3	6 x M20x140 - 12.9	600	1.5	5.35	2.68	1.5	5.35	4.41	1.89	2.35	0.09	0.83	1.22	0.85	-		

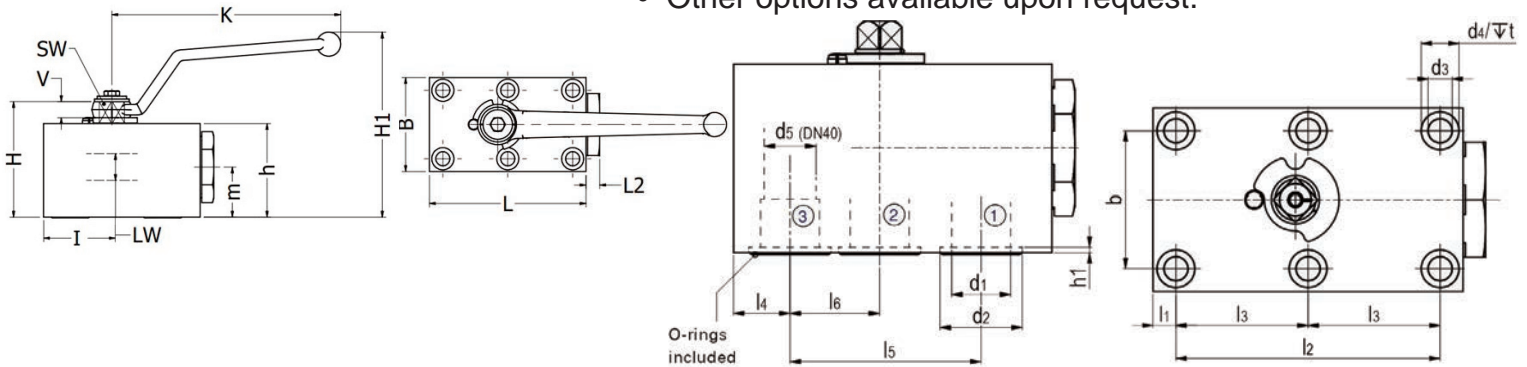
Behringer 3-Way Manifold Mount Ball Valves

Ball Valves for Manifold Mounting
Size Range: 1/4" - 2"



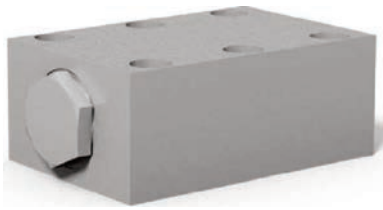
Features:

- Block Body.
- Full Port Valves.
- POM Ball Seats (Others available on request).
- FPM O-rings (Others available on request).
- Zinc Iron Plated (Stainless Steel Optional).
- Temp Range -20°F to 212°F.
- Hard Chrome-Plated Ball.
- Other options available upon request.

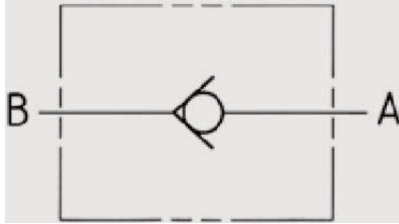


3 Way Manifold Mount Valves			Working Pressure		Dimensions (in.)													Lever Material
Size	Series	Part Number	PSI	Bar	I	L	I-7	B	H	h	m	V	SW1	SW2	K	LW	H1	
1/4	3-Way	BBVD/M2H1D1F-M	3625	250	1.02	2.24	0.24	1.57	1.69	1.38	0.77	0.24	0.28	0.75	4.53	0.2	2.64	Zinc
3/8	3-Way	BBVD/M3H1D1F-M	7250	500	1.34	2.95	0.39	2.17	2.32	1.77	0.96	0.43	0.35	1.18	4.53	0.39	3.66	Zinc
1/2	3-Way	BBVD/M4H1D1F-M	5800	400	1.67	3.86	0.39	2.36	2.72	2.17	1.34	0.43	0.35	1.26	4.53	0.51	4.09	Zinc
3/4	3-Way	BBVD/M5H1D1F-M	4567	315	2	4.6	0.39	2.78	3.46	2.78	1.48	0.55	0.55	1.81	6.73	0.79	5.43	Steel
1	3-Way	BBVD/M6H1D1F-M	4567	315	2.44	5.31	0.39	3.15	3.86	3.15	1.75	0.55	0.55	1.97	6.73	0.98	5.83	Steel
1 1/4	3-Way	BBVD/M7H1D1F-M	6090	420	2.95	6.5	0.43	3.94	4.76	3.94	2.15	0.65	0.67	2.78	12.05	1.18	7.56	Steel
1 1/2	3-Way	BBVD/M8H1D1F-M	6090	420	3.33	7.87	0.67	5.12	5.16	4.33	2.24	0.65	0.67	3.15	12.05	1.5	7.95	Steel
2	3-Way	BBVD/M9H1D1F-M	6090	420	4.17	9.45	0.59	5.91	5.91	5.08	2.8	0.65	0.67	3.54	12.05	1.89	8.7	Steel

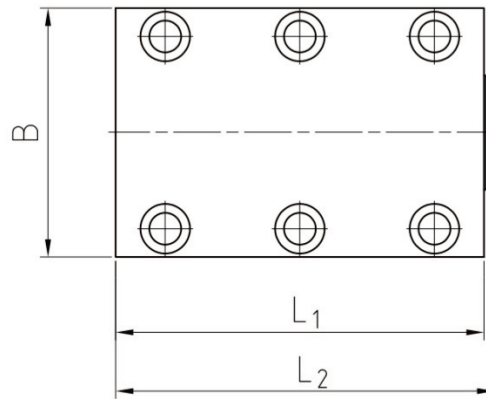
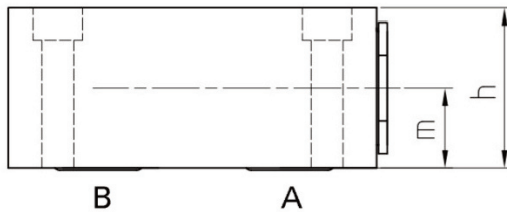
3 Way Manifold Mount Valves		Connection Dimensions (in.)																	
Size	O-ring (mm)	Dimensions of Screws (MIN)	Torque of Screws in Nm	I-1	I-2	I-3	I-4	I-5	I-6	b	d-1	d-2	h-1	d-3	d-4	t	d-5		
1/4	7x2.5	4 x M6x40 - 12.9	14	0.33	1.38	-	0.33	1.38	0.69	1.06	0.24	0.46	0.07	0.26	0.41	0.27	-		
3/8	10x2.5	4 x M8x50 - 12.9	35	0.49	2.17	-	0.59	1.73	0.75	1.57	0.37	0.59	0.07	0.33	0.53	0.33	-		
1/2	20x2.5	6 x M8x60 - 12.9	35	0.3	3.27	1.63	0.63	2.28	1.04	1.77	0.51	0.98	0.07	0.33	0.53	0.28	-		
3/4	23.47x2.62	6 x M10x80 - 12.9	70	0.39	3.82	1.91	0.79	2.72	1.22	2	0.79	1.14	0.08	0.41	0.65	0.41	-		
1	29x3	6 x M10x90 - 12.9	70	0.39	4.53	2.26	0.94	3.19	1.5	2.36	0.98	1.37	0.09	0.41	0.65	0.41	-		
1 1/4	34.59x2.62	6 x M12x110 - 12.9	110	0.47	5.35	2.68	1.14	3.78	1.81	3.07	1.26	1.57	0.08	0.51	0.75	0.47	-		
1 1/2	42.x3	6 x M16x120 - 12.9	300	1.12	4.41	2.2	1.12	4.41	2.2	3.74	1.5	1.88	0.09	0.65	0.98	0.75	1.42		
2	54x3	6 x M20x140 - 12.9	600	1.5	5.35	2.68	1.5	5.35	2.68	4.41	1.89	2.35	0.09	0.83	1.22	0.85	-		



Porting Pattern



Due to spring and manufacturing tolerances cracking pressures may deviate by $\pm 30\%$.



Behringer Check Valve for Manifold Mounting

Check Valve Manifold Mounting

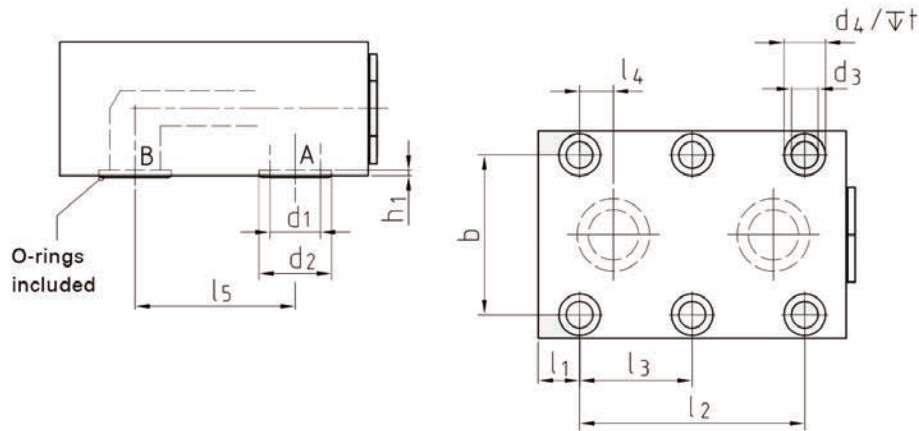
Size Range: DN6 -DN40 (1/8" to 2")

Features:

- Chrome Plated Steel Material (Stainless Steel Optional).
- FKM O-rings.
- Tmin/Tmax -20°F/212°F
- Cracking Pressure:
 - *Option: Cracking pressure
- Other options available upon request.

7.25 psi
65.25 psi

Check Valve for Manifold Mounting			Working Pressure		Dimensions (in.)				
Size	Spring	Part Number	PSI	Bar	m	h	B	L1	L2
1/8	7 PSI	BCV/M2-1-7	5075	350	0.31	0.63	1.63	1.63	1.85
	65 PSI	BCV/M2-1-65	5075	350	0.31	0.63	1.63	1.63	1.85
1/4	7 PSI	BCV/M2.5-1-7	5075	350	0.39	0.79	1.81	2.5	2.78
	65 PSI	BCV/M.2.5-1-65	5075	350	0.39	0.79	1.81	2.5	2.78
3/8	7 PSI	BCV/M3-1-7	5075	350	0.49	0.98	2	2.78	2.95
	65 PSI	BCV/M3-1-65	5075	350	0.49	0.98	2	2.78	2.95
1/2	7 PSI	BCV/M4-1-7	5075	350	0.62	1.26	2.26	3.15	3.39
	65 PSI	BCV/M4-1-65	5075	350	0.62	1.26	2.26	3.15	3.39
3/4	7 PSI	BCV/M5-1-7	5075	350	0.89	1.77	2.76	4.09	4.33
	65 PSI	BCV/M5-1-65	5075	350	0.89	1.77	2.76	4.09	4.33
1	7 PSI	BCV/M6-1-7	5075	350	0.98	1.97	3.01	5	5.24
	65 PSI	BCV/M6-1-65	5075	350	0.98	1.97	3.01	5	5.24
1 1/4	7 PSI	BCV/M7-1-7	5075	350	1.08	2.17	3.94	6.5	6.73
	65 PSI	BCV/M7-1-65	5075	350	1.08	2.17	3.94	6.5	6.73
1 1/2	7 PSI	BCV/M8-1-7	5075	350	1.48	2.95	4.53	7.32	7.56
	65 PSI	BCV/M8-1-65	5075	350	1.48	2.95	4.53	7.32	7.56
2	7 PSI	BCV/M9-1-7	5075	350	1.97	3.94	5.51	7.56	8.11
	65 PSI	BCV/M9-1-65	5075	350	1.97	3.94	5.51	7.56	8.11



Check Valve for Manifold Mounting		Connection Dimensions (in.)													
Size	O-ring (mm)	Dimensions of Screws (MIN)	Torque of Screws in Nm	b	I-1	I-2	I-3	I-4	I-5	d-1	d-2	h-1	d-3	d-4	t
1/8	6.35x1.78	4 x M6x20 - 8.8	9	1.12	0.25	0.75	-	0.06	0.63	0.2	0.39	0.05	0.23	0.41	0.27
1/4	8.5x2	4 x M6x25 - 8.8	9	1.32	0.56	1.38	-	0.18	1	0.28	0.49	0.06	0.23	0.41	0.27
3/8	12x2	4 x M6x30 - 10.9	12	1.5	0.71	1.32	-	0.16	1	0.39	0.62	0.06	0.23	0.41	0.27
1/2	15x2	4 x M6x35 - 12.9	14	1.75	0.83	1.5	-	0.16	1.18	0.51	0.74	0.06	0.23	0.41	0.27
3/4	19x2.5	6 x M8x50 - 10.9	30	2.13	0.55	2.99	1.5	0.45	2.13	0.69	0.94	0.07	0.33	0.53	0.35
1	25x3	6 x M8x55 - 12.9	35	2.36	0.63	3.74	1.87	0.75	2.24	0.87	1.2	0.09	0.33	0.53	0.35
1 1/4	32x3	6 x M10x60 - 12.9	70	2.99	0.59	4.72	2.36	0.81	3.13	1.12	1.48	0.09	0.41	0.65	0.43
1 1/2	38x3	6 x M12x85 - 10.9	100	3.62	0.59	5.63	2.81	0.94	3.74	1.38	1.71	0.09	0.51	0.75	0.51
2	52x3	6 x M12x110 - 12.9	130	4.37	0.63	5.23	2.63	1	3.5	1.87	2.26	0.09	0.51	0.75	0.51

⁽¹⁾Fixing screws not included.

We recommend screws as per 1504762 (DIN 912). The indicated property classes and torques represent our recommended guidelines at a friction coefficient of 14%.



Leakage rate of check valve DIN EN 12266
- leakage rate C-D (test medium water)

How To Order:

Table 1 Table 2 Table 3

BCV/M2 - 1 - 7

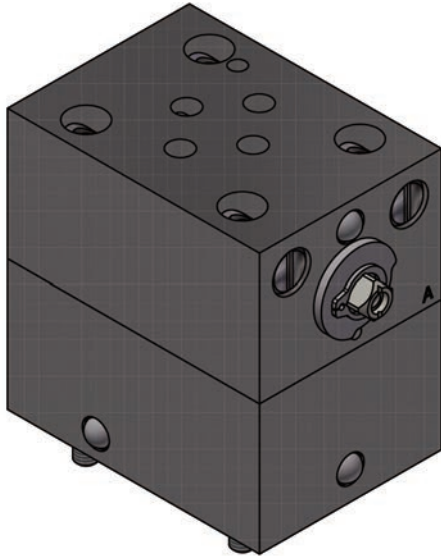
Table 1: Connect Size	
Code	Size
1	1/8"
2	1/4"
2.5	5/16"
3	3/8"
4	1/2"
4.5	5/8"
5	3/4"
6	1"
7	1 1/4"
8	1 1/2"

Table 2: Material	
Code	Description
1	Steel
2	Stainless Steel

Table 3: Cracking Pressure (psi)	
7	
65	

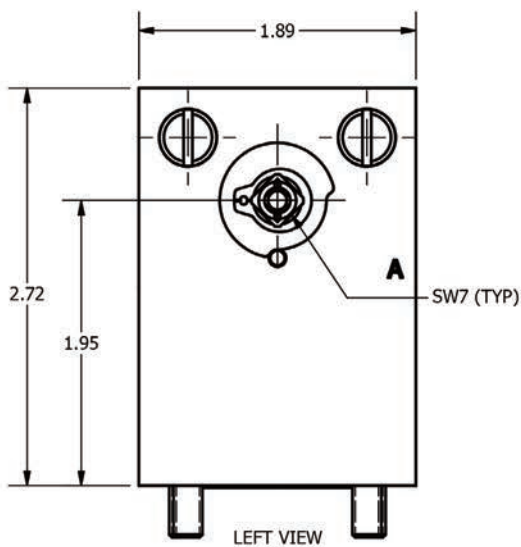
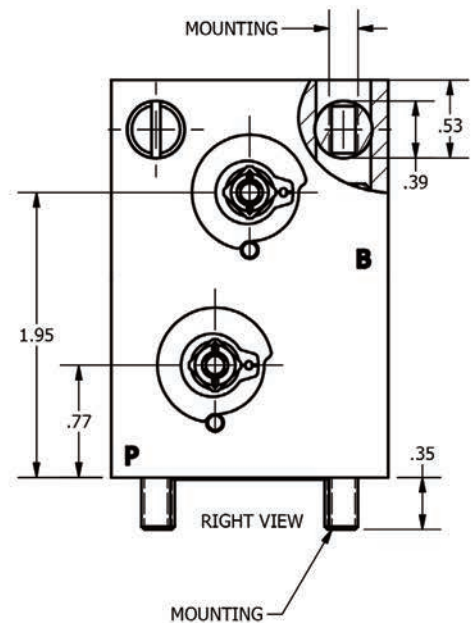
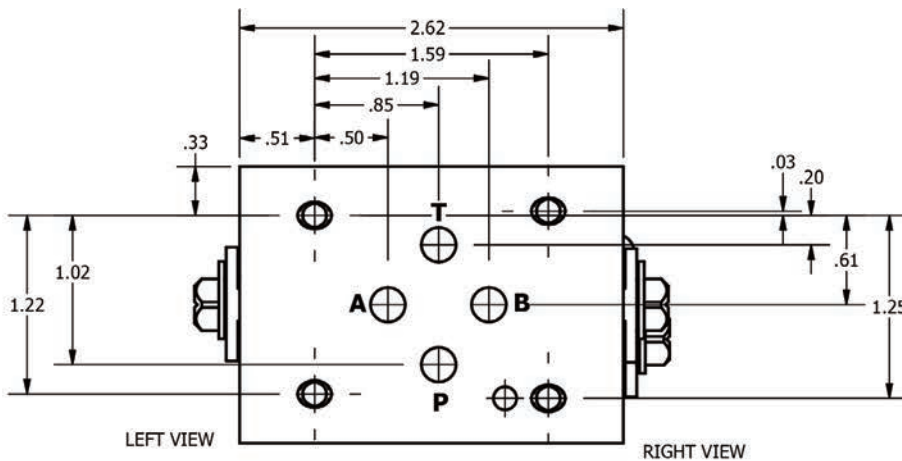
BBV/SP-DO3 Sandwich Plate

Sandwich Plates



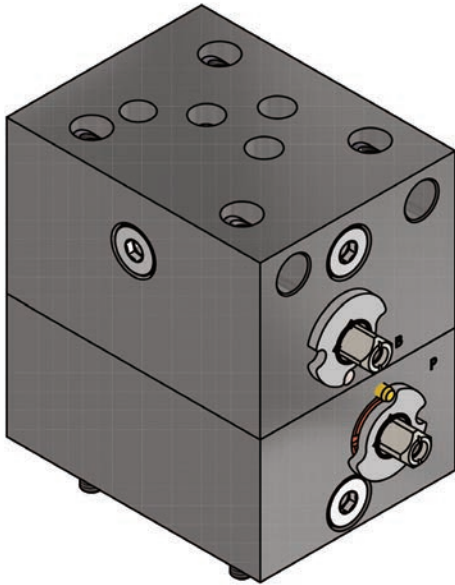
Features:

- MAWP 4,500 psi [315 bar] (Stainless Steel Optional).
- Ball valves : P, A, B.
- Check valve : T.
- Mounting : 10-24" UNC or M5.
- Housing : Steel, plated.
- Ball and stem : Steel.
- Seats : POM.
- O-ring : FPM.
- Lockouts Optional.



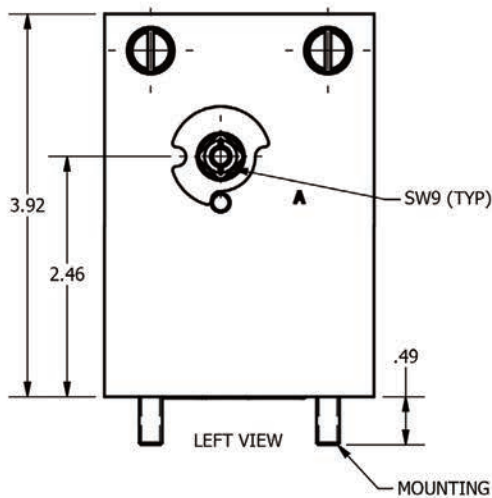
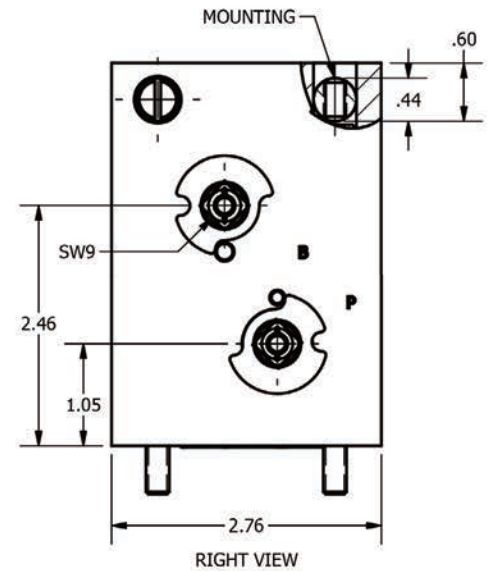
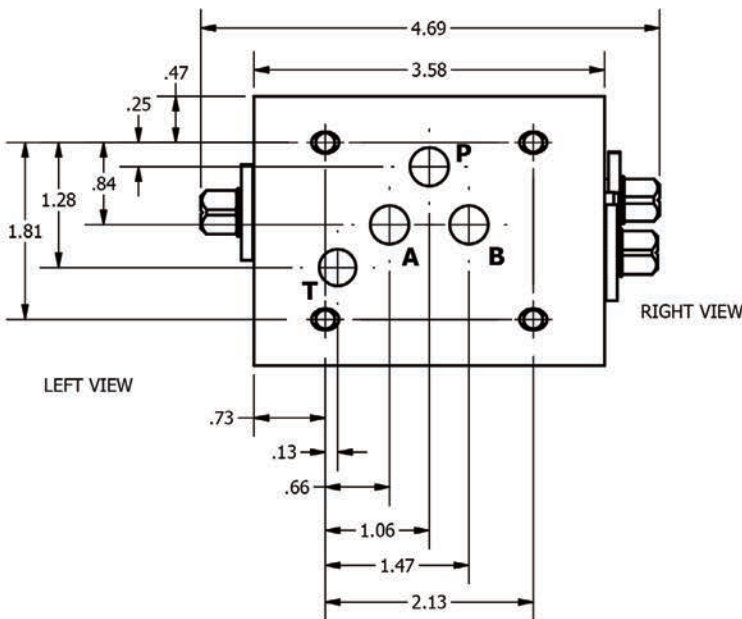
BBV/SP-DO5 Sandwich Plate

Sandwich Plates



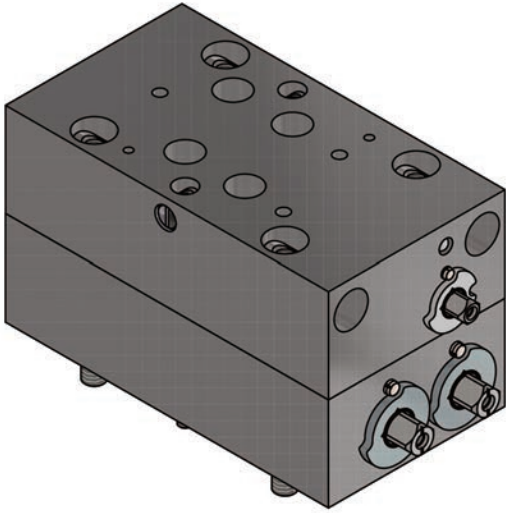
Features:

- MAWP 4,500 psi [315 bar] (Stainless Steel Optional).
- Ball valves : P, A, B.
- Check valve : T.
- Mounting : 1/4" UNC or M6.
- Housing : Steel, plated.
- Ball and stem : Steel.
- Seats : POM.
- O-ring : FPM.
- Lockouts Optional.



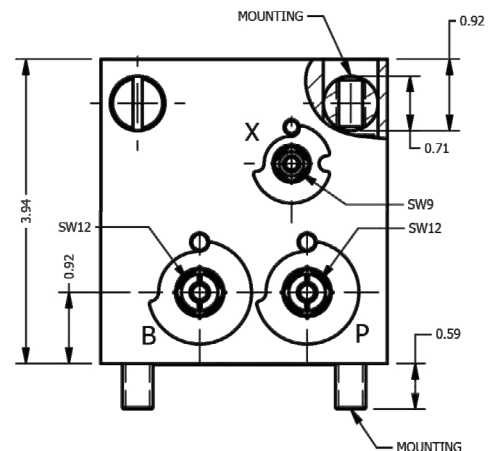
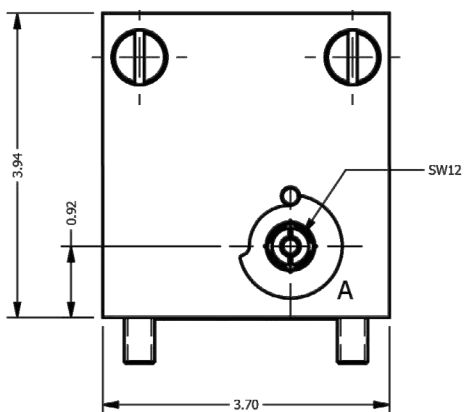
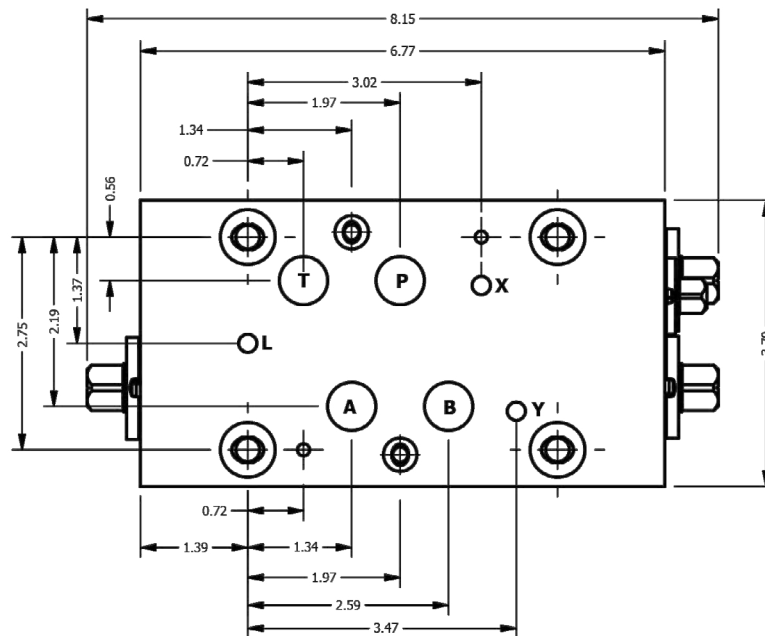
BBV/SP-DO7 Sandwich Plate

Sandwich Plates



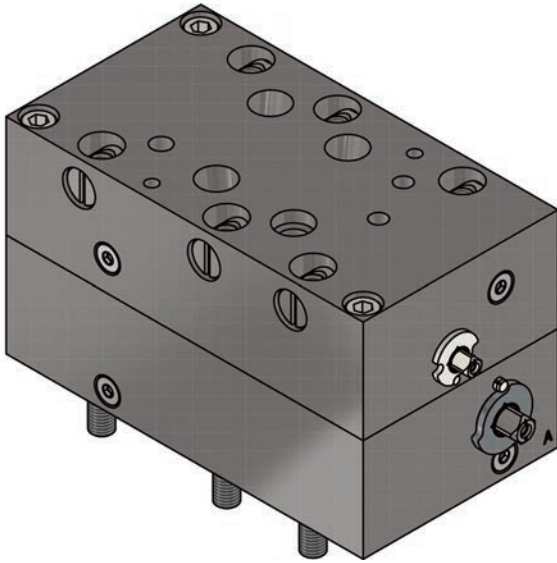
Features:

- MAWP 4,500 psi [315 bar] (Stainless Steel Optional).
- Ball valves : P, A, B, X.
- Check valve : T.
- Pass thru: L, Y
- Mounting : 4X 38" UNC + 2X 1/4" UNC or 4X M10 + 2X M6.
- Housing : Steel, plated.
- Ball and stem : Steel.
- Seats : POM.
- O-ring : FPM.
- Lockouts Optional.



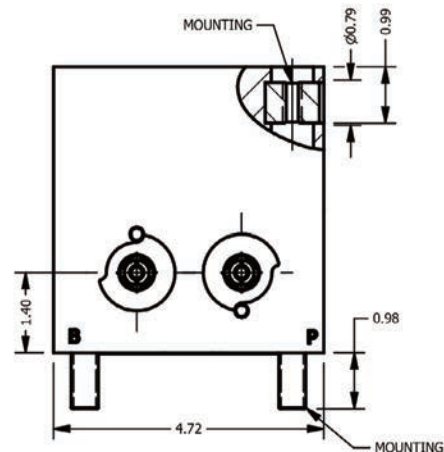
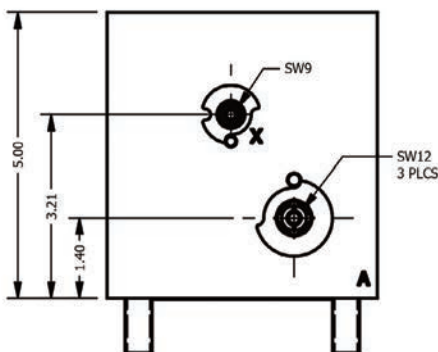
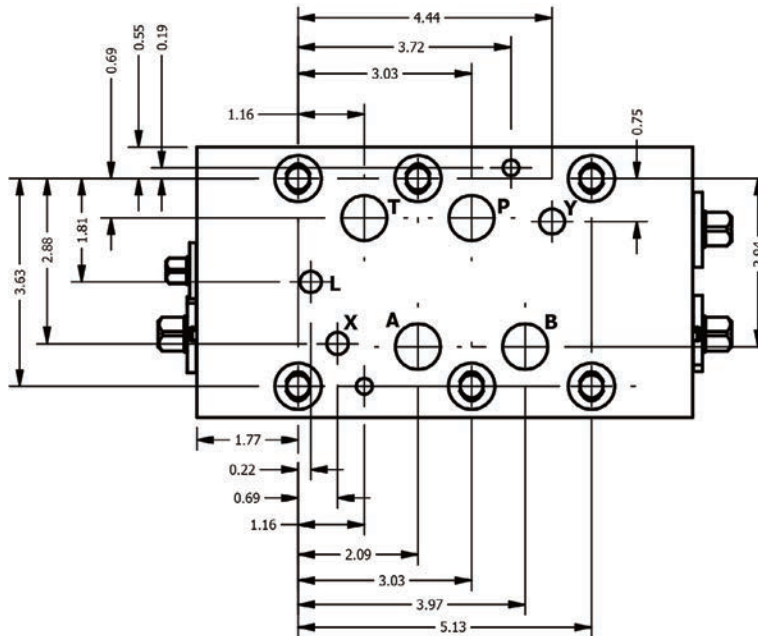
BBV/SP-DO8 Sandwich Plate

Sandwich Plates



Features:

- MAWP 4,500 psi [315 bar] (Stainless Steel Optional).
- Ball valves : P, A, B, X.
- Check valve : T.
- Pass thru: L, Y.
- Mounting : 1/2" UNC or M12.
- Housing : Steel, plated.
- Ball and stem : Steel.
- Seats : POM.
- O-ring : FPM.
- Lockouts Optional.





Behringer Flow Control Check Valve

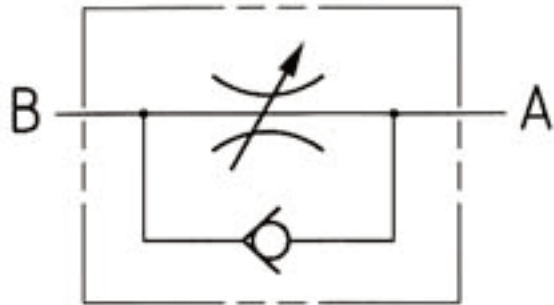
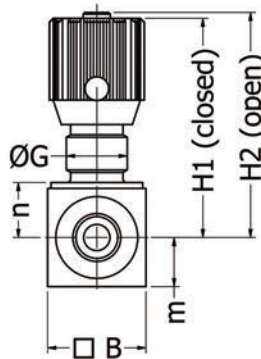
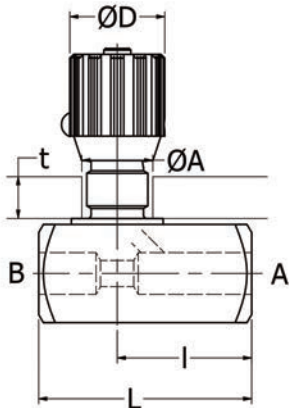
For Piping System Assembly

Size Range: DN6 -DN40 (1/8" to 2")

Features:

- Steel / Stainless Steel
- NBR, FPM O-rings.
- Tmin/Tmax -20°F/212°F
- Cracking Pressure:
- *Option: Cracking pressure

7.25 psi
65.25 psi



Flow Control Valves			Maximum Pressure		Dimensions (in.)										Mounting Thread (G)	Panel Thickness
Size	Thread Type	Part Number	PSI	Bar	H1	H2	m	n	B	I	L	D	A			
1/8	NPT	BFCV/T1H1D1F-M	5075	350	2	2.2	0.31	0.39	0.63	1.02	1.77	0.94	0.51	Pg 7	0.16	
	SAE	BFCV/O1H1D1F-M	5075	350	2	2.2	0.31	0.39	0.63	1.02	1.77	0.94	0.51	Pg 7	0.16	
1/4	NPT	BFCV/T2H1D1F-M	5075	350	2.56	2.8	0.5	0.57	0.98	1.32	2.17	1.14	0.75	Pg 11	0.28	
	SAE	BFCV/O2H1D1F-M	5075	350	2.56	2.8	0.5	0.57	0.98	1.32	2.17	1.14	0.75	Pg 11	0.28	
3/8	NPT	BFCV/T3H1D1F-M	5075	350	2.68	2.95	0.59	0.67	1.18	1.61	2.56	1.14	0.75	Pg 11	0.28	
	SAE	BFCV/O3H1D1F-M	5075	350	2.68	2.95	0.59	0.67	1.18	1.61	2.56	1.14	0.75	Pg 11	0.28	
1/2	NPT	BFCV/T4H1D1F-M	5075	350	3.23	3.62	0.69	0.83	1.38	1.73	2.87	1.5	0.91	Pg 16	0.28	
	SAE	BFCV/O4H1D1F-M	5075	350	3.23	3.62	0.69	0.83	1.38	1.73	2.87	1.5	0.91	Pg 16	0.28	
3/4	NPT	BFCV/T5H1D1F-M	5075	350	3.78	4.17	0.89	1.02	1.77	2.24	3.46	1.5	0.91	Pg 16	0.28	
	SAE	BFCV/O5H1D1F-M	5075	350	3.78	4.17	0.89	1.02	1.77	2.24	3.46	1.5	0.91	Pg 16	0.28	
1	NPT	BFCV/T6H1D1F-M	5075	350	4.77	5.28	0.98	1.18	1.97	3.03	5	1.93	1.5	Pg 29	0.39	
	SAE	BFCV/O6H1D1F-M	5075	350	4.77	5.28	0.98	1.18	1.97	3.03	5	1.93	1.5	Pg 29	0.39	
1 1/4	NPT	BFCV/T7H1D1F-M	5075	350	4.96	5.47	1.18	1.38	2.36	3.66	5.63	1.93	1.5	Pg 29	0.39	
	SAE	BFCV/O7H1D1F-M	5075	350	4.96	5.47	1.18	1.38	2.36	3.66	5.63	1.93	1.5	Pg 29	0.39	
1 1/2	NPT	BFCV/T8H1D1F-M	5075	350	5.16	5.67	1.38	1.57	2.78	3.58	5.63	1.93	1.5	Pg 29	0.39	
	SAE	BFCV/O8H1D1F-M	5075	350	5.16	5.67	1.38	1.57	2.78	3.58	5.63	1.93	1.5	Pg 29	0.39	
2	NPT	BFCV/T9H1D1F-M	5075	350	5.55	6.06	1.77	2	3.54	4.37	6.5	1.93	1.5	Pg 29	0.39	
	SAE	BFCV/O9H1D1F-M	5075	350	5.55	6.06	1.77	2	3.54	4.37	6.5	1.93	1.5	Pg 29	0.39	

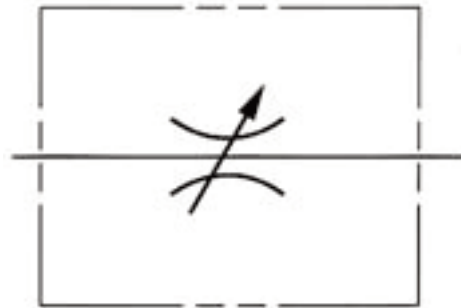
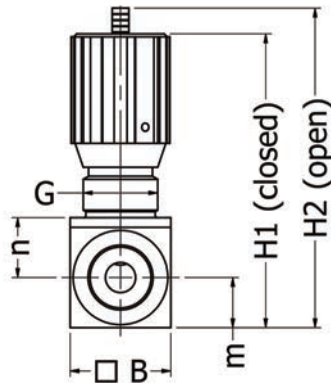
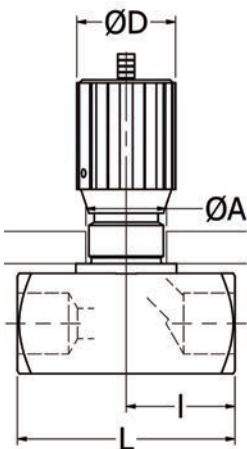


Behringer Needle Valves

For piping system assembly
Size Range: 1/8" - 2"

Features:

- Steel / Stainless Steel
- NBR, FPM O-rings.
- Tmin/Tmax -20°F/212°F



Needle Valves			Maximum Pressure		Dimensions (in.)									Mounting Thread (G)	Panel Thickness
Size	Thread Type	Part Number	PSI	Bar	H1	H2	m	n	B	I	L	D	A		
1/8	NPT	BNV/T1H1D1F-M	5075	350	2	2.2	0.31	0.39	0.63	0.75	1.5	0.94	0.51	Pg 7	0.16
	SAE	BNV/O1H1D1F-M	5075	350	2	2.2	0.31	0.39	0.63	0.75	1.5	0.94	0.51	Pg 7	0.16
1/4	NPT	BNV/T2H1D1F-M	5075	350	2.56	2.8	0.5	0.57	0.98	0.95	1.89	1.14	0.75	Pg 11	0.28
	SAE	BNV/O2H1D1F-M	5075	350	2.56	2.8	0.5	0.57	0.98	0.95	1.89	1.14	0.75	Pg 11	0.28
3/8	NPT	BNV/T3H1D1F-M	5075	350	2.68	2.95	0.59	0.67	1.18	1.14	2.67	1.14	0.75	Pg 11	0.28
	SAE	BNV/O3H1D1F-M	5075	350	2.68	2.95	0.59	0.67	1.18	1.14	2.28	1.14	0.75	Pg 11	0.28
1/2	NPT	BNV/T4H1D1F-M	5075	350	3.23	3.62	0.69	0.83	1.38	1.34	2.68	1.5	0.91	Pg 16	0.28
	SAE	BNV/O4H1D1F-M	5075	350	3.23	3.62	0.69	0.83	1.38	1.34	2.68	1.5	0.91	Pg 16	0.28
3/4	NPT	BNV/T5H1D1F-M	5075	350	3.78	4.17	0.89	1.02	1.77	1.54	3.07	1.5	0.91	Pg 16	0.28
	SAE	BNV/O5H1D1F-M	5075	350	3.78	4.17	0.89	1.02	1.77	2.13	4.25	1.5	0.91	Pg 16	0.28
1	NPT	BNV/T6H1D1F-M	5075	350	4.77	5.28	0.98	1.18	1.97	2.13	4.25	1.93	1.5	Pg 29	0.39
	SAE	BNV/O6H1D1F-M	5075	350	4.77	5.28	0.98	1.18	1.97	2.13	4.25	1.93	1.5	Pg29	0.39
1 1/4	NPT	BNV/T7H1D1F-M	5075	350	4.96	5.47	1.18	1.38	2.36	2.13	4.25	1.93	1.5	Pg 29	0.39
	SAE	BNV/O7H1D1F-M	5075	350	4.96	5.47	1.18	1.38	2.36	2.13	4.25	1.93	1.5	Pg 29	0.39
1 1/2	NPT	BNV/T8H1D1F-M	5075	350	5.16	5.67	1.38	1.57	2.78	2.13	4.25	1.93	1.5	Pg 29	0.39
	SAE	BNV/O8H1D1F-M	5075	350	5.16	5.67	1.38	1.57	2.78	2.13	4.25	1.93	1.5	Pg 29	0.39
2	NPT	BNV/T9H1D1F-M	5075	350	5.55	6.06	1.77	2	3.54	3.54	2.36	1.93	1.5	Pg 29	0.39
	SAE	BNV/O9H1D1F-M	5075	350	5.55	6.06	1.77	2	3.54	3.54	2.36	1.93	1.5	Pg29	0.39



Behringer Hard Seat Check Valves

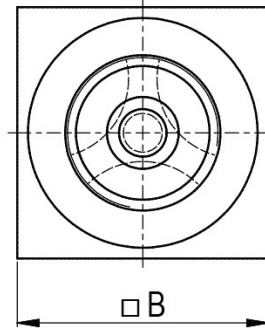
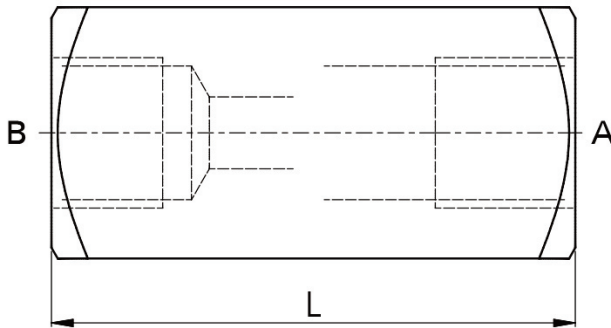
For Piping System Assembly

Size Range: DN6 -DN40 (1/8" to 2")

Features:

- Steel / Stainless Steel
- Tmin/Tmax -20°C/100°C
- Cracking Pressure:
- *Option: Cracking pressure

7.25 psi
65.25 psi



F, Steel (NPT)				Dimensions (in.)	
Size	Spring	Part Number	PSI	L	B
1/8	7 PSI	BCV/T1H1-7-M	7250	1.77	0.63
	65 PSI	BCV/T1H1-65-M			
1/4	7 PSI	BCV/T2H1-7-M	7250	2.17	0.98
	65 PSI	BCV/T2H1-65-M			
3/8	7 PSI	BCV/T3H1-7-M	7250	2.56	1.18
	65 PSI	BCV/T3H1-65-M			
1/2	7 PSI	BCV/T4H1-7-M	7250	2.87	1.38
	65 PSI	BCV/T4H1-65-M			
3/4	7 PSI	BCV/T5H1-7-M	7250	3.46	1.77
	65 PSI	BCV/T5H1-65-M			
1	7 PSI	BCV/T6H1-7-M	7250	5	1.97
	65 PSI	BCV/T6H1-65-M			
1 1/4	7 PSI	BCV/T7H1-7-M	5800	5.63	2.36
	65 PSI	BCV/T7H1-65-M			
1 1/2	7 PSI	BCV/T8H1-7-M	5075	5.63	2.78
	65 PSI	BCV/T8H1-65-M			
2	7 PSI	BCV/T9H1-7-M	5075	6.5	3.54
	65 PSI	BCV/T9H1-65-M			

Hard Seat Check Valves, Steel (SAE)				Dimensions (in.)	
Size	Spring	Part Number	PSI	L	B
1/4	7 PSI	BCV/O2H1-7-M	7250	2.15	0.98
	65 PSI	BCV/O2H1-65-M			
3/8	7 PSI	BCV/O3H1-7-M	7250	2.56	1.18
	65 PSI	BCV/O3H1-65-M			
1/2	7 PSI	BCV/O4H1-7-M	7250	2.87	1.38
	65 PSI	BCV/O4H1-65-M			
3/4	7 PSI	BCV/O5H1-7-M	7250	3.84	1.77
	65 PSI	BCV/O5H1-65-M			
1	7 PSI	BCV/O6H1-7-M	7250	5.02	1.97
	65 PSI	BCV/O6H1-65-M			
1.25	7 PSI	BCV/O7H1-7-M	5800	5.57	2.36
	65 PSI	BCV/O7H1-65-M			
1 1/2	7 PSI	BCV/O8H1-7-M	5075	5.49	2.78
	65 PSI	BCV/O8H1-65-M			
2	7 PSI	BCV/O9H1-7-M	5075	6.5	3.54
	65 PSI	BCV/O9H1-65-M			



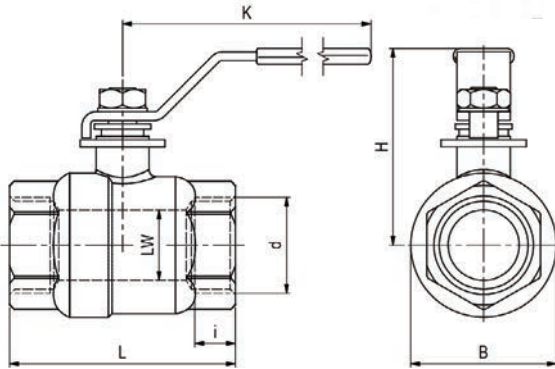
Behringer Two Way Low Pressure Ball Valve

For piping system assembly

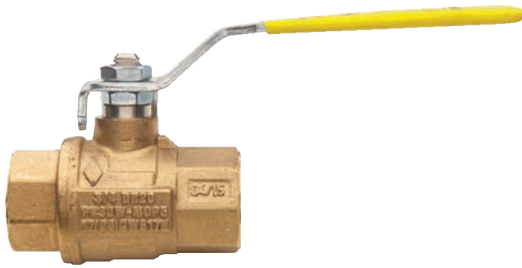
Size Range: 1/4" - 4"

Features:

- Body, Ball and Stem CF8M (Stainless Steel)
- Full Port Valves.
- PTFE Ball Seats & O-rings (Others available on request).
- Temp Range -22°F to 392°F.
- Locking Handle comes standard



2 Way Low Pressure Stainless Steel Ball Valves			Working Pressure		Dimensions (in.)						Lever Material
Size	Thread Type	Part Number	PSI	Bar	LW	L	B	h	K	i	
1/4	NPT	BBV/T2L2T2T-M-LO	913.5	63	0.39	1.97	1.14	1.77	3.93	0.47	Stainless
	BSP	BBV/G2L2T2T-M-LO	913.5	63	0.39	1.97	1.14	1.77	3.93	0.47	Stainless
	SAE	BBV/O2L2T2T-M-LO	913.5	63	0.39	1.97	1.14	1.77	3.93	0.47	Stainless
3/8	NPT	BBV/T3L2T2T-M-LO	913.5	63	0.49	1.97	1.14	1.77	3.93	0.43	Stainless
	BSP	BBV/G3L2T2T-M-LO	913.5	63	0.49	1.97	1.14	1.77	3.93	0.43	Stainless
	SAE	BBV/O3L2T2T-M-LO	913.5	63	0.49	1.97	1.14	1.77	3.93	0.43	Stainless
1/2	NPT	BBV/T4L2T2T-M-LO	913.5	63	0.59	2.32	1.34	1.97	3.93	0.51	Stainless
	BSP	BBV/G4L2T2T-M-LO	913.5	63	0.59	2.32	1.34	1.97	3.93	0.51	Stainless
	SAE	BBV/O4L2T2T-M-LO	913.5	63	0.59	2.32	1.34	1.97	3.93	0.51	Stainless
3/4	NPT	BBV/T5L2T2T-M-LO	913.5	63	0.79	2.72	1.59	2.05	4.06	0.61	Stainless
	BSP	BBV/G5L2T2T-M-LO	913.5	63	0.79	2.72	1.59	2.05	4.06	0.61	Stainless
	SAE	BBV/O5L2T2T-M-LO	913.5	63	0.79	2.72	1.59	2.05	4.06	0.61	Stainless
1	NPT	BBV/T6L2T2T-M-LO	913.5	63	0.98	3.11	1.94	2.76	5.91	0.61	Stainless
	BSP	BBV/G6L2T2T-M-LO	913.5	63	0.98	3.11	1.94	2.76	5.91	0.61	Stainless
	SAE	BBV/O6L2T2T-M-LO	913.5	63	0.98	3.11	1.94	2.76	5.91	0.61	Stainless
1 1/4	NPT	BBV/T7L2T2T-M-LO	913.5	63	1.26	3.7	2.38	2.95	5.91	0.77	Stainless
	BSP	BBV/G7L2T2T-M-LO	913.5	63	1.26	3.7	2.38	2.95	5.91	0.77	Stainless
	SAE	BBV/O7L2T2T-M-LO	913.5	63	1.26	3.7	2.38	2.95	5.91	0.77	Stainless
1 1/2	NPT	BBV/T8L2T2T-M-LO	913.5	63	1.5	4.06	2.81	3.35	7.2	0.83	Stainless
	BSP	BBV/G8L2T2T-M-LO	913.5	63	1.5	4.06	2.81	3.35	7.2	0.83	Stainless
	SAE	BBV/O8L2T2T-M-LO	913.5	63	1.5	4.06	2.81	3.35	7.2	0.83	Stainless
2	NPT	BBV/T9L2T2T-M-LO	913.5	63	1.97	4.84	3.55	3.7	7.2	0.91	Stainless
	BSP	BBV/G9L2T2T-M-LO	913.5	63	1.97	4.84	3.55	3.7	7.2	0.91	Stainless
	SAE	BBV/O9L2T2T-M-LO	913.5	63	1.97	4.84	3.55	3.7	7.2	0.91	Stainless
2 1/2	NPT	BBV/T10L2T2T-M-LO	913.5	63	2.56	6.3	4.59	5.31	5.97	1.14	Stainless
	BSP	BBV/G10L2T2T-M-LO	913.5	63	2.56	6.3	4.59	5.31	5.97	1.14	Stainless
	SAE	BBV/O10L2T2T-M-LO	913.5	63	2.56	6.3	4.59	5.31	5.97	1.14	Stainless
3	NPT	BBV/T11L2T2T-M-LO	913.5	63	3.15	7.09	5.43	5.71	5.97	1.14	Stainless
	BSP	BBV/G11L2T2T-M-LO	913.5	63	3.15	7.09	5.43	5.71	5.97	1.14	Stainless
	SAE	BBV/O11L2T2T-M-LO	913.5	63	3.15	7.09	5.43	5.71	5.97	1.14	Stainless
4	NPT	BBV/T12L2T2T-M-LO	913.5	63	3.94	9.05	6.71	6.5	12.91	1.14	Stainless
	BSP	BBV/G12L2T2T-M-LO	913.5	63	3.94	9.05	6.71	6.5	12.91	1.14	Stainless
	SAE	BBV/O12L2T2T-M-LO	913.5	63	3.94	9.05	6.71	6.5	12.91	1.14	Stainless

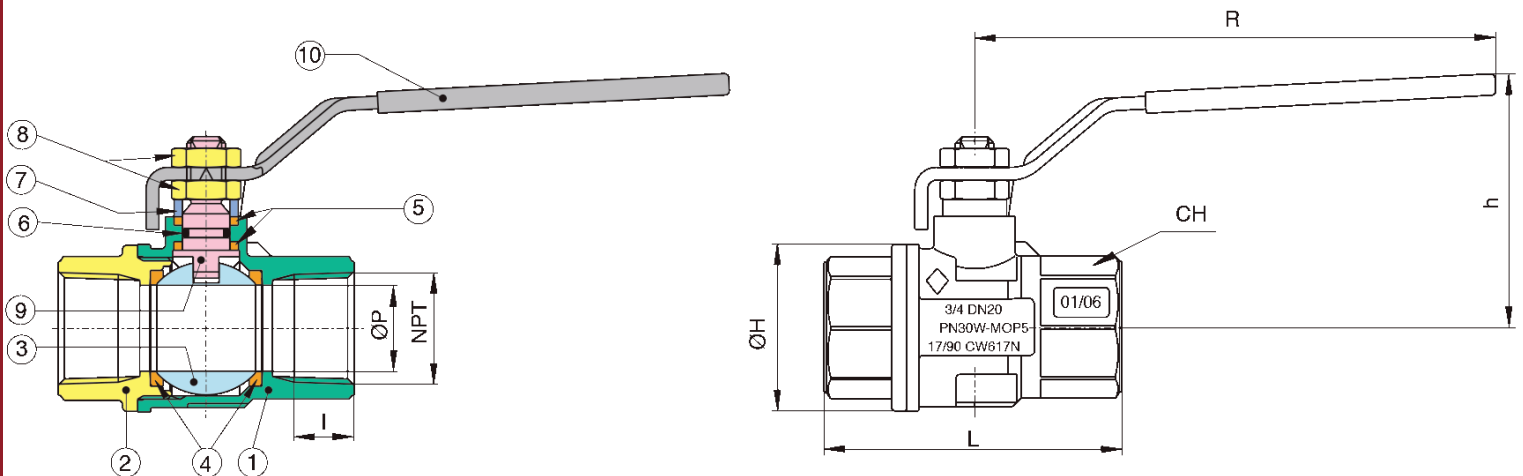


Low Pressure Ball Valve

Brass ball valve, FNPT threaded
full port sizes 1/4" to 4"

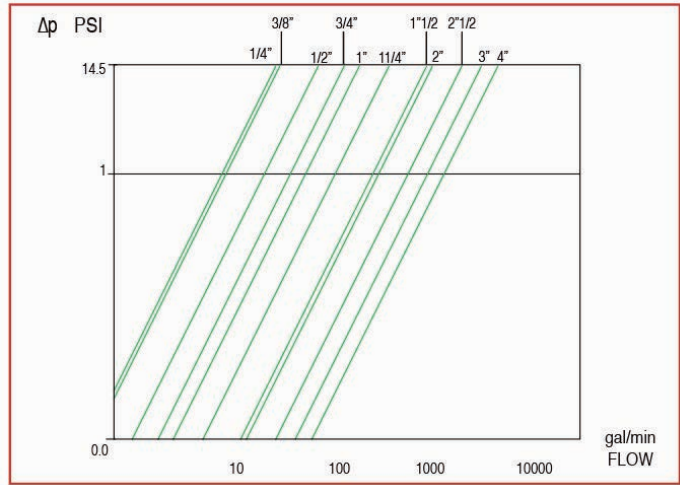
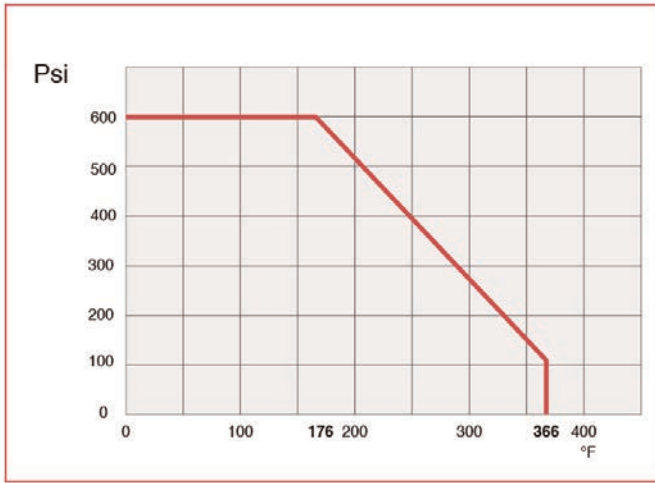
Features:

- Pressure rating 600 WOG-150 WSP.
- Temperature range -4°F to +366°F.
- Blow out proof stem, chrome plated brass ball.
- P.T.F.E seats, seals, and thrust washer.
- Adjustable stem packing.
- 100% electronically tested in the open and closed position at 80 psi.
- Not to be used for drinking water.
- Valve to be used in fully open or fully closed position.
- Locking handle also available.



N Pos	Part Name	Material	N Pcs
1	Body	Brass C38000	1
2	End Connection	Brass C38000	1
3	Ball	Brass C38000	1
4	Ball Seat	P.T.F.E.	2
5	Thrust Washer/Stem Seat	P.T.F.E.	2
6	O-Ring	NBR	1
7	Packing Gland	Brass C38500	1
8	Nut	Steel CL 04	2
9	Stem	Brass C38500	1
10	Handle	Fe DD11 UNI EN 10111	1

BEHRINGER®

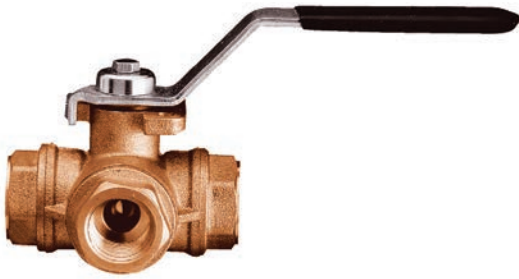


Order Information										
Size	ØP	I	L	ØH	CH	R	h	Cv	psi	Weight
1/4"	0.39	0.39	2.02	0.90	0.78	3.78	1.65	6.24	600	0.33
3/8"	0.39	0.40	2.02	0.90	0.78	3.78	1.65	6.94	600	0.30
1/2"	0.59	0.53	2.44	1.25	0.98	3.78	1.81	18.84	600	0.48
3/4"	0.78	0.55	2.71	1.53	1.22	4.76	2.28	34.10	600	0.79
1"	0.98	0.66	3.07	1.92	1.49	4.76	2.44	49.71	600	1.22
1 1/4"	1.25	0.68	3.42	2.32	1.88	5.94	3.00	102.89	600	2.14
1 1/2"	1.57	0.68	3.89	2.87	2.12	5.94	3.23	265.90	600	3.2
2"	1.94	0.69	4.33	3.38	2.63	6.30	3.74	306.36	600	4.08
2 1/2"	2.56	0.93	5.59	4.37	3.54	8.07	4.84	624.28	600	8.27
3"	3.15	1.02	6.46	5.35	4.13	8.07	5.24	1009.25	600	13.01
4"	3.94	1.09	7.60	6.54	5.12	10.24	6.50	1606.94	600	22.05

How To Order:

BBV/T_*L4T4T
Size

Size	
Code	Size
2	1/4"
3	3/8"
4	1/2"
5	3/4"
6	1"
7	1 1/4"
8	1 1/2"
9	2"
10	2 1/2"
11	3"
12	4"

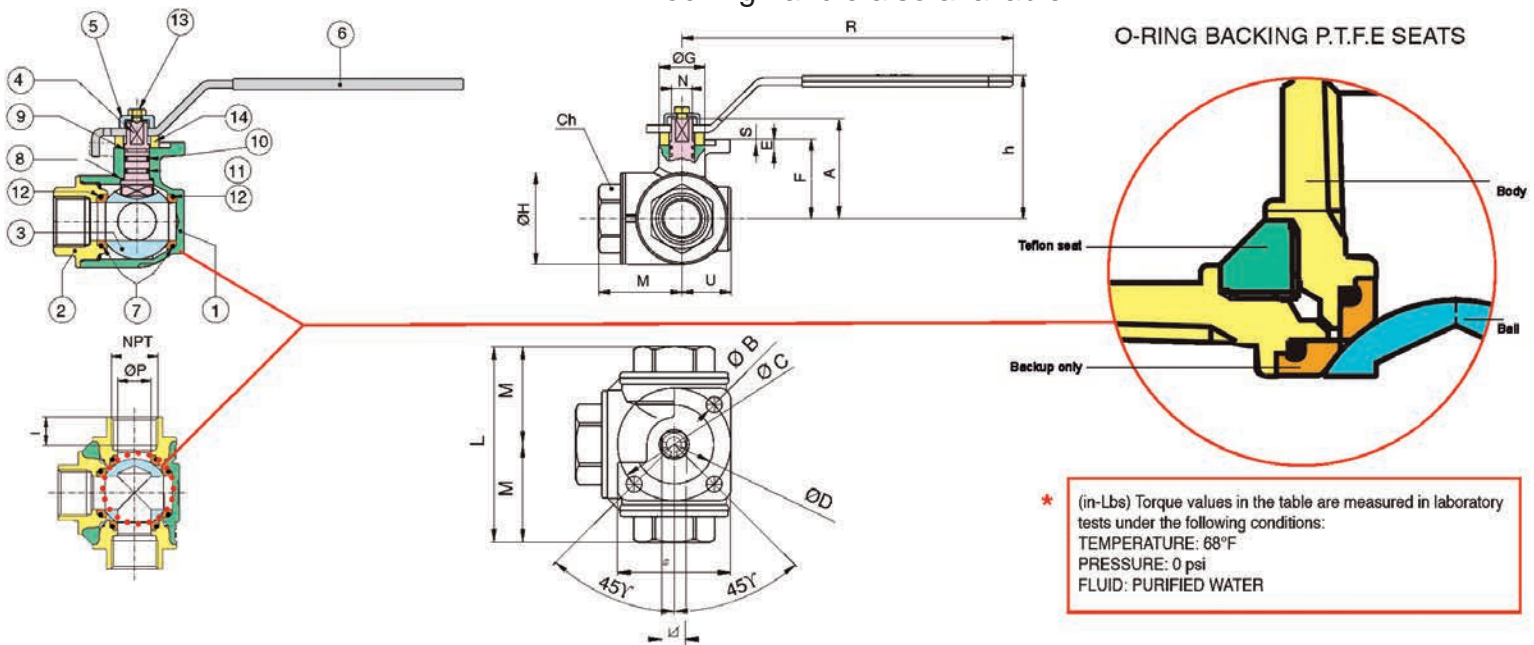


Direct Mount 3-Way Ball Valve

Brass ball valve with ISO 5211 pad for actuator, standard port sizes 1/4" to 3" FNPT

Features:

- Pressure rating 400 WOG-100 WSP.
- Temperature range -4°F to 366°F.
- Blow out proof stem, chrome plated brass ball.
- P.T.F.E seats with O-ring backing for low operating torque.
- P.T.F.E seats and double O-ring stem packing.
- 100% electronically tested in the open and closed position at 80 psi.
- Not to be used for drinking water.
- Four seat design for sealing between pressurized ports.
- Model 355N (90° and 180° "T" flow pattern position).
- Model 365N (90° "L" flow pattern with "off position").
- ANSI B1.20.1 connections.
- Locking handle also available.



* (in-Lbs) Torque values in the table are measured in laboratory tests under the following conditions:
 TEMPERATURE: 68°F
 PRESSURE: 0 psi
 FLUID: PURIFIED WATER

N Pos	Part Name	Material	N Pcs	N Pos	Part Name	Material	N Pcs
1	Body	Brass C38000	1	8	Thrust Washer	P.T.F.E.	1
2	End Connection	Brass C38000	3	9	Thrust Washer	P.T.F.E.	1
3	Ball	Brass C38000	1	10	O-ring	EPDM	1
4	Stem	Brass C38500	1	11	O-ring	FKM (Viton®)	1
5	Bush	Brass C38500	1	12	O-rings Body	FKM (Viton®)	4
6	Handle	Fe DD11 UNI EN 10111	1	13	Screw	Stell CL 8.8	1
7	Ball Seat	P.T.F.E.	4	14	Washer	Nylon (PA6)	1

BEHRINGER®

Order Information

Size	ØP	ØH	I	L	M	CH	R	h	ØG	ØB	Øc	U	E	F	A	mm	N	Cv 355N	Cv 365N	psi	Weight lbs	*Break Torque (in/Lbs)
1/4"	0.39	1.34	0.39	2.64	1.32	0.87	4.72	2.44	0.87	0.24	1.42 (ISO F03)	0.77	0.20	1.20	0.35	9.00	0.35	3.24	3.24	400	1.23	17.70
3/8"	0.43	1.34	0.41	2.64	1.32	0.87	4.72	2.44	0.87	0.24	1.42 (ISO F03)	0.77	0.20	1.20	0.35	9.00	0.35	3.47	3.47	400	1.14	17.70
1/2"	0.43	1.34	0.54	2.87	1.44	1.06	4.72	2.44	0.87	0.24	1.42 (ISO F03)	0.77	0.20	1.20	0.35	9.00	0.35	4.16	4.16	400	1.21	17.70
3/4"	0.55	1.54	0.55	3.19	1.59	1.26	4.72	2.52	0.87	0.24	1.42 (ISO F03)	0.87	0.20	1.29	0.35	9.00	0.35	7.05	7.05	400	1.48	26.60
1"	0.75	1.89	0.66	3.74	1.87	1.61	6.79	2.95	0.94	0.28	1.97 (ISO F05)	1.00	0.28	1.63	0.43	11.00	0.43	12.83	12.83	400	2.69	26.60
1 1/4"	0.95	2.36	0.68	4.39	2.19	1.97	6.79	3.17	0.94	0.28	1.97 (ISO F05)	1.22	0.28	1.85	0.43	11.00	0.43	18.73	18.73	400	4.14	53.10
1 1/2"	1.18	2.83	0.68	4.86	2.43	2.17	6.79	3.66	1.26	0.28	1.97 (ISO F05)	1.49	0.28	2.34	0.43	11.00	0.43	29.71	29.71	400	6.46	88.50
2"	1.50	3.39	0.70	5.73	2.86	2.76	9.06	4.37	1.46	0.35	2.76 (ISO F07)	1.75	0.31	2.91	0.59	14.00	0.55	43.81	43.81	400	11.07	106.20
2 1/2"	1.95	4.37	0.93	6.93	3.46	3.35	9.06	4.80	1.46	0.35	2.76 (ISO F07)	2.20	0.31	3.35	0.59	14.00	0.55	70.05	70.05	400	19.78	274.40
3"	1.95	4.45	1.02	7.09	3.54	4.13	9.06	4.80	1.46	0.35	2.76 (ISO F07)	2.20	0.31	3.35	0.59	14.00	0.55	70.05	70.05	400	19.64	354.30

How To Order:

BBVD/T * L4T4- *
Size Flow Pattern

Size	
Code	Size
2	1/4"
3	3/8"
4	1/2"
5	3/4"
6	1"
7	1 1/4"
8	1 1/2"
9	2"
10	2 1/2"
11	3"

Flow Pattern	
T	90° & 180° Flow Pattern
L	90° Flow Pattern

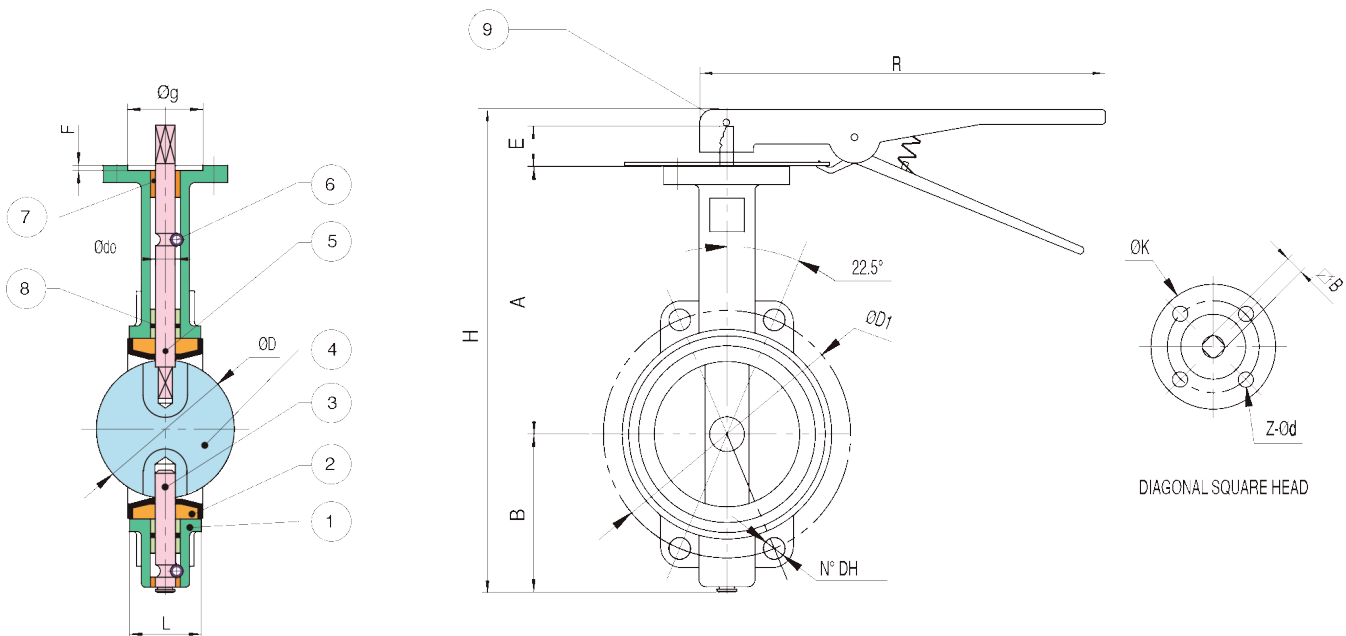


Butterfly Valve

Wafer butterfly valves

Features:

- Epoxy coated cast iron wafer body.
- Sizes 1 1/2" to 12".
- ISO 5211 direct mounting pad/square stem.
- Food grade EPDM resilient seat -30°F to 250°F.
- API609 face to face flange.
- Floating dual shaft disc design.
- Pressure rating: 250 psi water (40°F to 80°F).
- MSS SP 67 compliant.
- No pins in disc prevent potential leak points.
- NSF certified for drinking water service (EPDM seats only).
- Locking handle also available.
- High performance valves available on request.



N Pos	Part Name	Material	N Pcs
1	Body	Cast Iron	1
2	Seat	EPDM (30F to 250F)	1
3	Lower Shaft	SS 416	1
4	Disc 500N	Iron Nylon 11	1
	Disc 500S	Stainless Steel	1
5	Upper Shaft	SS 416	1
6	Locating Pin	Carbon Steel	1
7	Bushing	P.T.F.E.	1
8	O-ring	EPDM	1
9	Lever	Epoxy Coated Carbon Steel	1

BEHRINGER®

Order Information																					
Size	ISO 5211	B	A	B	L	ØD	E	H	R	Ødo	Upper Flange				Disc	Wafer	Weight Lbs	Seat Torque		v (GPM @ 1ps	
											ØK	Z-d	Øg	F				ØD1	N°-DH	100 psi	200 psi
1 1/2"	F05	9 mm	5.71	2.97	1.61	1.67	0.47	12.95	10.63	0.50	3.03	4-0.28	1.38	0.12	4.74	4-0.75	5.0	111	133	35	108
2"	F05	9 mm	6.34	3.15	1.65	2.07	0.47	13.94	10.63	0.50	3.03	4-0.28	1.38	0.12	4.74	4-0.75	5.5	126	146	49	146.00
2 1/2"	F05	9 mm	6.89	3.50	1.76	2.54	0.47	15.04	10.63	0.50	3.03	4-0.28	1.38	0.12	5.49	4-0.75	7.1	134	167	84	284
3"	F05	9 mm	7.13	3.74	1.78	3.10	0.47	15.51	10.63	0.50	3.03	4-0.28	1.38	0.12	6.00	4-0.75	8.4	205	223	128	547
4"	F07	11 mm	7.87	4.49	2.05	4.09	0.63	17.00	10.63	0.62	3.54	4-0.35	2.17	0.12	7.50	4-0.75	10.8	339	386	195	844
5"	F07	14 mm	8.34	5.00	2.14	4.85	0.75	17.94	10.63	0.75	3.54	4-0.35	2.17	0.12	8.50	4-0.87	15.4	523	602	320	1375
6"	F07	14 mm	8.90	5.47	2.20	6.13	0.75	19.06	10.63	0.75	3.54	4-0.35	2.17	0.12	9.50	4-0.87	17.2	677	996	418	1882
8"	F10	17 mm	10.24	6.89	2.34	7.97	0.75	22.25	14.17	0.87	4.92	4-0.47	2.76	0.14	11.75	4-0.87	29.1	1205	1864	745	3340
10"	F10	22 mm	11.50	7.99	2.58	9.86	0.94	24.77	19.68	1.12	4.92	4-0.47	2.76	1.40	14.25	4-1.00	42.2	1890	3140	1264	5475
12"	F10	22 mm	13.27	9.53	3.03	11.87	0.94	28.31	19.68	1.24	5.51	4-0.47	2.76	1.40	17.00	4-1.00	71.5	2808	4767	1905	8270

How To Order:

BBYW- 9 - F C S F G LO E-24VDC

Size Connection Housing Material Disc Seal Operating Option Actuator

Size	
Code	Size
8	1 1/2"
9	2"
10	2 1/2"
11	3"
12	4"
13	5"
14	6"
15	8"
16	10"
17	12"

Connection	
Code	Type
F	Flange

Housing Material	
Code	Type
C	Cast Iron

Disc	
Code	Type
S	Stainless Steel
N	Nylon
AB	Aluminum/Bronze

Seat Seal	
Code	Type
F	Viton
B	Buna
E	EPDM

Operating	
Code	Type
G	Gear
M (1 1/2" - 8" only)	Manual Lever
D	Direct Mount

Option	
Code	Type
Omit	Standard
LO	Locking Device

Actuator	
Code	Type
Omit	None
DA	Double Acting
SR	Spring Return
E	Electrical + Voltage (ex: 24VDC)

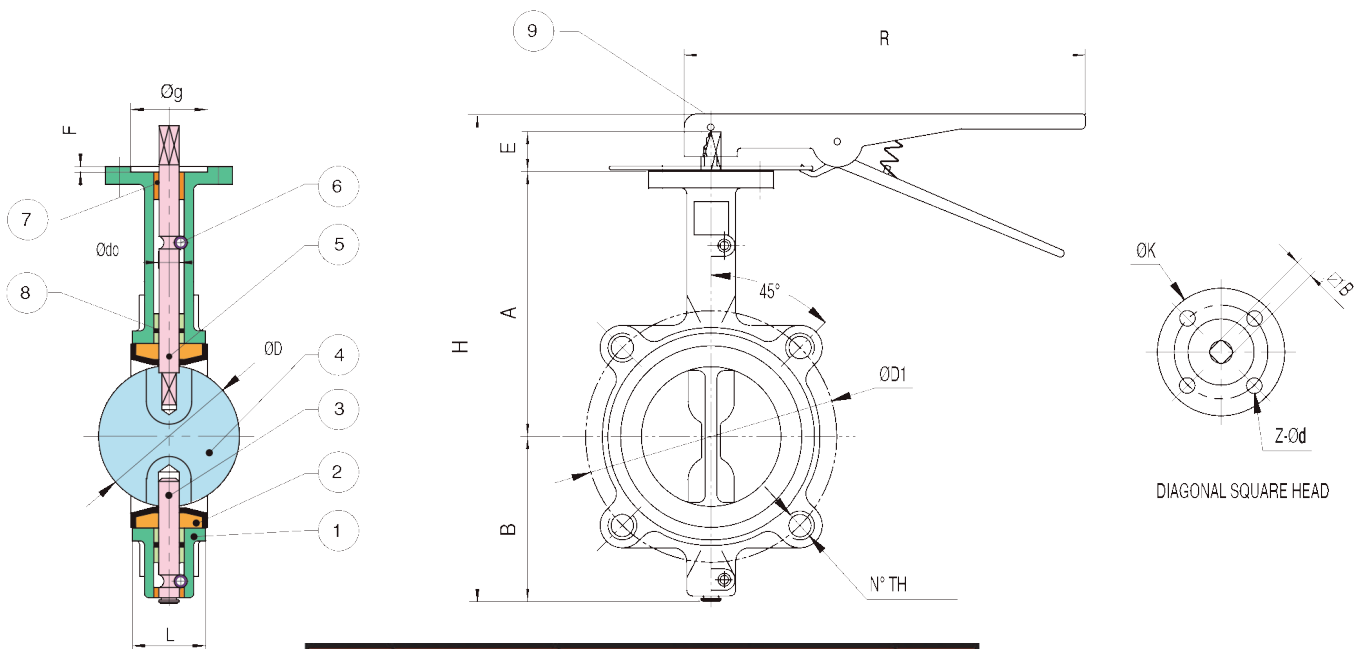
Butterfly Valve

Lug butterfly valves



Features:

- Epoxy coated ductile iron lug body.
- Sizes 1 1/2" to 12".
- ISO 5211 direct mounting pad/square stem.
- Food grade EPDM resilient seat -30°F to 250°F.
- API609 face to face flange.
- Floating dual shaft disc design.
- Pressure rating: 250 psi water (40°F to 80°F).
- MSS SP 67 compliant.
- No pins in disc prevent potential leak points.
- NSF certified for drinking water service (EPDM seats only).
- Dead end service to 100 psi.
- High performance valves available on request



N Pos	Part Name	Material	N Pcs
1	Body	Cast Iron	1
2	Seat	EPDM (30F to 250F)	1
3	Lower Shaft	SS 416	1
4	Disc 500N	Iron Nylon 11	1
	Disc 500S	Stainless Steel	1
5	Upper Shaft	SS 416	1
6	Locating Pin	Carbon Steel	1
7	Bushing	P.T.F.E.	1
8	O-ring	EPDM	1
9	Lever	Epoxy Coated Carbon Steel	1

BEHRINGER®

Order Information																					
Size	ISO 5211	B	A	B	L	ØD	E	H	R	Ødo	Upper Flange				Disc	Lug	Weight Lbs	Seat Torque		Cv (GPM @ 1psi)	
											ØK	Z-d	Øg	F	ØD1	N°-TH		100 psi	200 psi	50% OP	100% OP
1 1/2"	F05	9 mm	5.71	2.97	1.61	1.67	0.47	12.95	10.63	0.50	3.03	4-0.28	1.38	0.12	4.74	4-5/8"-11	7.9	111	133	35	108
2"	F05	9 mm	6.34	3.15	1.65	2.07	0.47	13.94	10.63	0.50	3.03	4-0.28	1.38	0.12	4.74	4-5/8"-11	8.4	126	146	49	146
2 1/2"	F05	9 mm	6.89	3.50	1.76	2.54	0.47	15.04	10.63	0.50	3.03	4-0.28	1.38	0.12	5.49	4-5/8"-11	9.3	134	167	84	284
3"	F05	9 mm	7.13	3.74	1.78	3.10	0.47	15.51	10.63	0.50	3.03	4-0.28	1.38	0.12	6.00	4-5/8"-11	10.4	205	223	128	547
4"	F07	11 mm	7.87	4.49	2.05	4.09	0.63	17.00	10.63	0.62	3.54	4-0.35	2.17	0.12	7.50	8-5/8"-11	19.8	339	386	195	844
5"	F07	14 mm	8.34	5.00	2.14	4.85	0.75	17.94	10.63	0.75	3.54	4-0.35	2.17	0.12	8.50	8-3/4"-10	24.0	523	602	320	1375
6"	F07	14 mm	8.90	5.47	2.20	6.13	0.75	19.06	10.63	0.75	3.54	4-0.35	2.17	0.12	9.50	8-3/4"-10	31.3	677	996	418	1882
8"	F10	17 mm	10.24	6.89	2.34	7.97	0.75	22.25	14.17	0.87	4.92	4-0.47	2.76	0.14	11.75	8-3/4"-10	40.1	1205	1864	745	3340
10"	F10	22 mm	11.50	7.99	2.58	9.86	0.94	24.77	19.68	1.12	4.92	4-0.47	2.76	1.40	14.25	12-7/8"-9	59.1	1890	3140	1264	5475
12"	F10	22 mm	13.27	9.53	3.03	11.87	0.94	28.31	19.68	1.24	5.51	4-0.47	2.76	1.40	17.00	12-7/8"-9	88.2	2808	4767	1905	8270

BBYL- 9 - F D S F M LO E-24VDC
 Size Connection Housing Disc Seal Operating Option Actuator
 Material

Size	
Code	Size
8	1 1/2"
9	2"
10	2 1/2"
11	3"
12	4"
13	5"
14	6"
15	8"
16	10"
17	12"

Connection	
Code	Type
F	Flange

Housing Material	
Code	Type
D	Ductile Iron

Disc	
Code	Type
S	Stainless Steel
N	Nylon
AB	Aluminum/Bronze

Seat Seal	
Code	Type
F	Viton
B	Buna
E	EPDM

Operating	
Code	Type
G	Gear
M (1 1/2" - 8" only)	Manual Lever
D	Direct Mount

Option	
Code	Type
Omit	Standard
LO	Locking Device

Actuator	
Code	Type
Omit	None
DA	Double Acting
SR	Spring Return
E	Electrical + Voltage (ex: 24VDC)



Accumulator Safety Blocks

ASB

Features:

- The block is intended for protection, isolation and depressurization of hydraulic accumulators.
- It can be manually relieved or on request prepared and equipped with solenoid-operated relief valves.
- Sizes DN10-G1/2, DN20-G1 and DN32-G1 1/2.
- Maximum working pressure:
 - Manual operation: 400 bar
 - Manual and solenoid operation: 350 bar
- Locking devices: on request
- Adapters: on request

BASB/ **G** **4** **M** - **5** **D** **1** **F** - **330** - **CE** - **LO**
 Pump Connector Size Relief Type Body Ball Seat Stem & Ball O-ring Pressure Setting Approval DBV Lockout

Pump Connector	
Code	Type
G	BSP
T	NPT
O	SAE

Size	
Code	Size
4	1/2"
6	1"
8	1-1/2"

Relief Type	
Code	Description
M	Manual
EO	manual and solenoid operation normally open
EC	manual and solenoid operation normally closed

Body	
Code	Description
5	Zinc Coating Steel

Ball Seat	
Code	Material
D	POM
T	PEEK

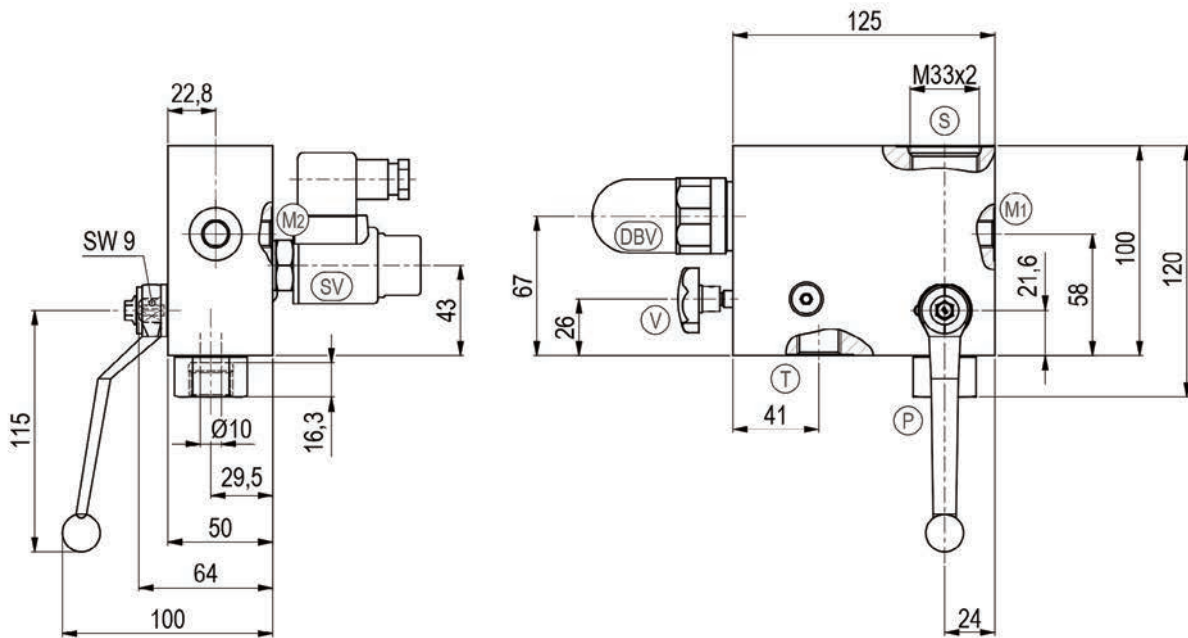
Stem and Ball	
Code	Material
1	Carbon Steel

O-ring	
Code	Material
B	NBR (Nitrile)
F	FKM (Viton)
E	EPDM

Pressure Setting DBV (bar)
leave blank if not required

Approval DBV	
Code	Description
CE	CE
N	none

Lockout	
Code	Description
LO	Lockout (optional)



P Pump connector
G1/2 (DIN EN ISO 228-1)
M-version 400 bar
E-version 350 bar

T Tank connector
G1/2 (DIN EN ISO 228-1)

S Accumulator connector

M1 Test gage connector
G1/4 (DIN EN ISO 228-1)

M2 Test gage connector
G1/4 (DIN EN ISO 228-1)

DBV Pressure relief valve
cavity thread M35x1.5

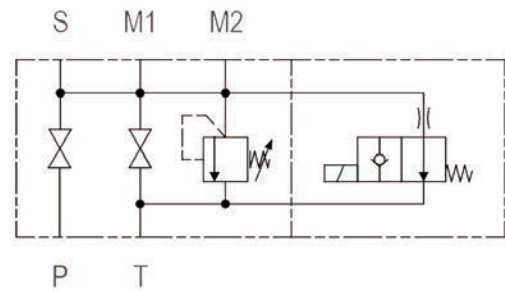
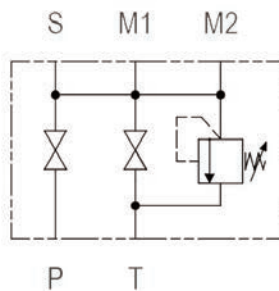
SV 2/2 solenoid valve
cavity thread M22x1.5

V Manual relief valve

Circuit Diagram

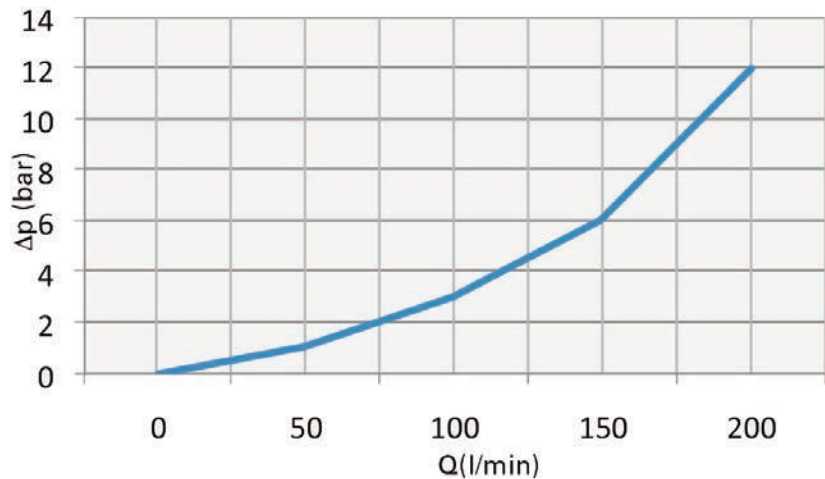
Manual Operated

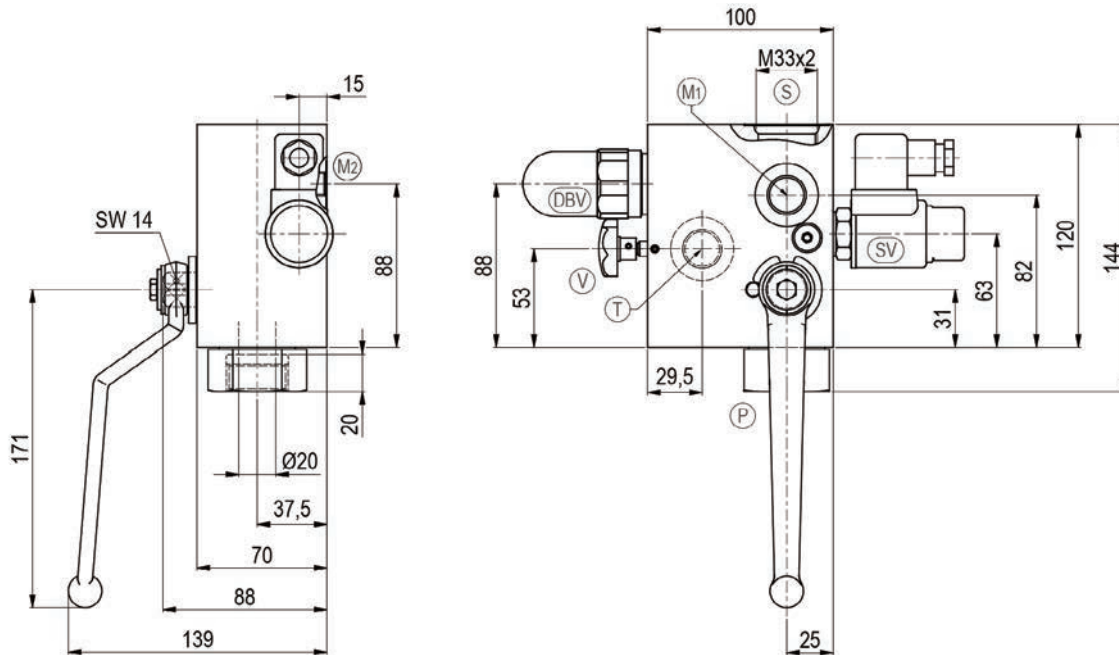
Manual and Solenoid Operated



Flow Characteristics

Flow direction: P-S





P Pump connector
G1/2 (DIN EN ISO 228-1)
M-version 400 bar
E-version 350 bar

T Tank connector
G1/2 (DIN EN ISO 228-1)

S Accumulator connector

M1 Test gage connector
G1/2 (DIN EN ISO 228-1)

M2 Test gage connector
G1/4 (DIN EN ISO 228-1)

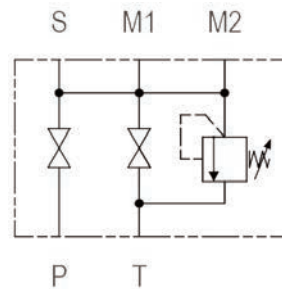
DBV Pressure relief valve
cavity thread M35x1.5

SV 2/2 solenoid valve
cavity thread M22x1.5

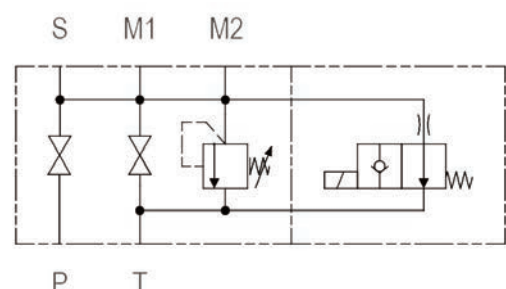
V Manual relief valve

Circuit Diagram

Manual Operated

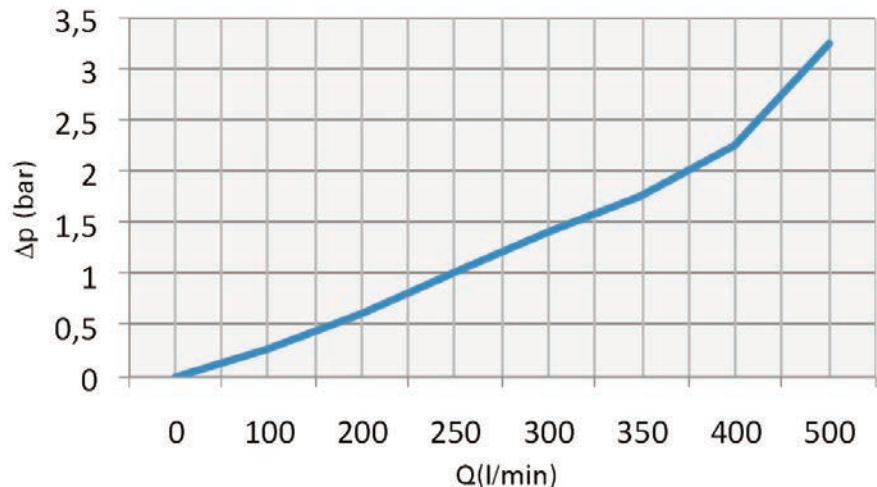


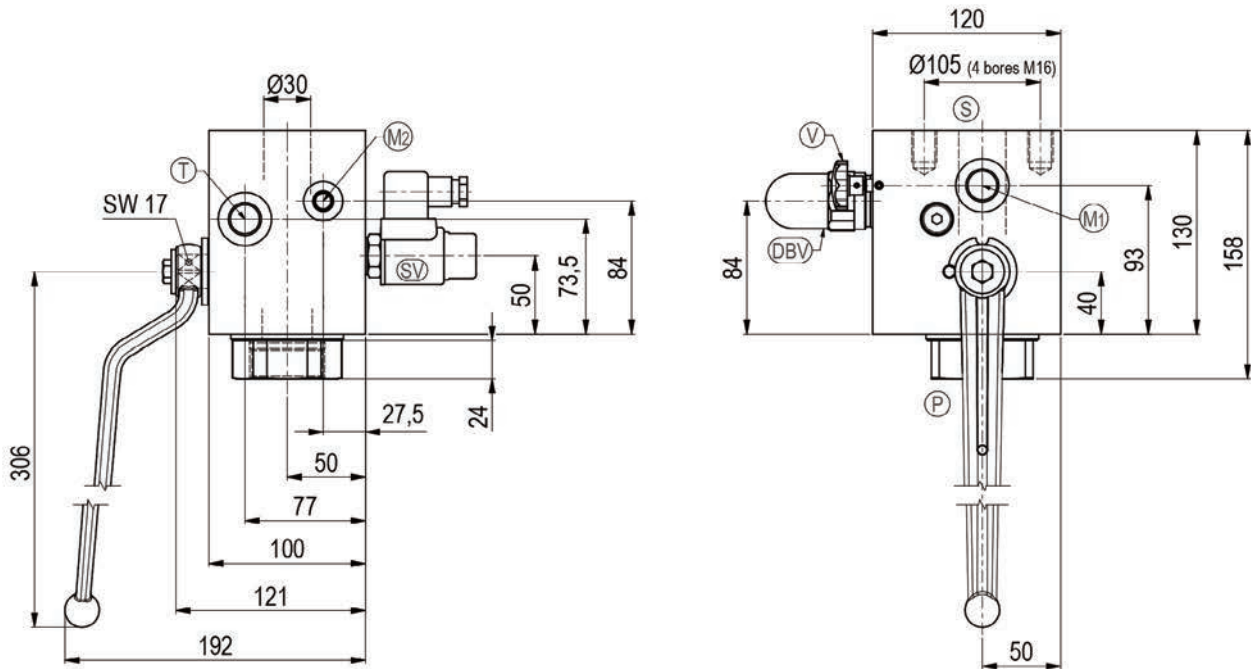
Manual and Solenoid Operated



Flow Characteristics

Flow direction: P-S





P Pump connector
G1/2 (DIN EN ISO 228-1)
M-version 400 bar
E-version 350 bar

T Tank connector
G1/2 (DIN EN ISO 228-1)

S Accumulator connector

M1 Test gage connector
G1/2 (DIN EN ISO 228-1)

M2 Test gage connector
G1/4 (DIN EN ISO 228-1)

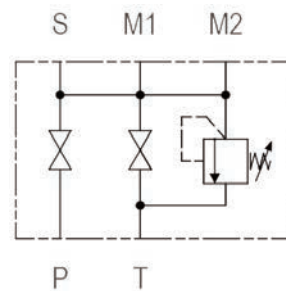
DBV Pressure relief valve
cavity thread M35x1.5

SV 2/2 solenoid valve
cavity thread M22x1.5

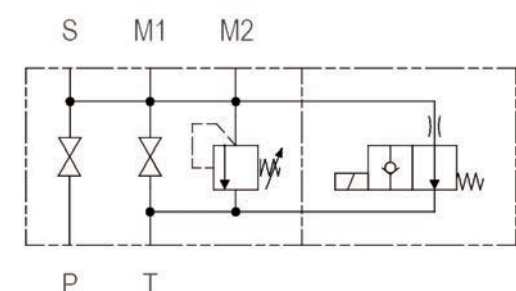
V Manual relief valve

Circuit Diagram

Manual Operated

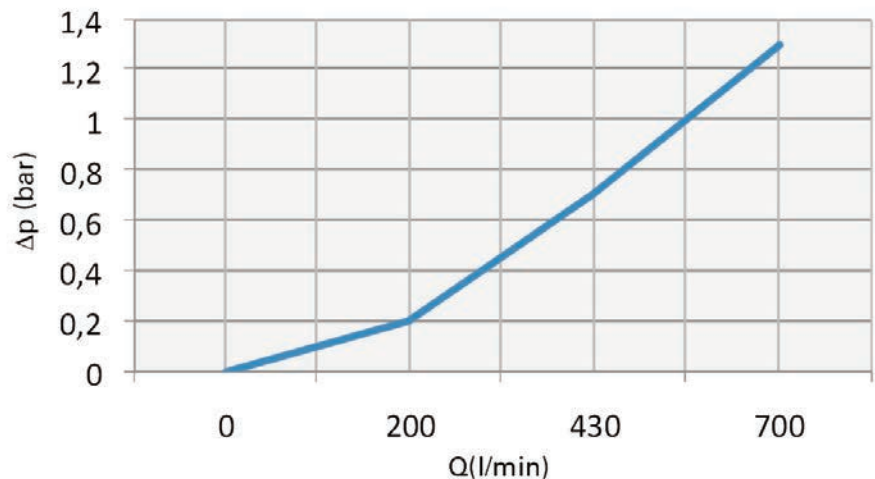


Manual and Solenoid Operated



Flow Characteristics

Flow direction: P-S



BV0524 Rev. 09

36